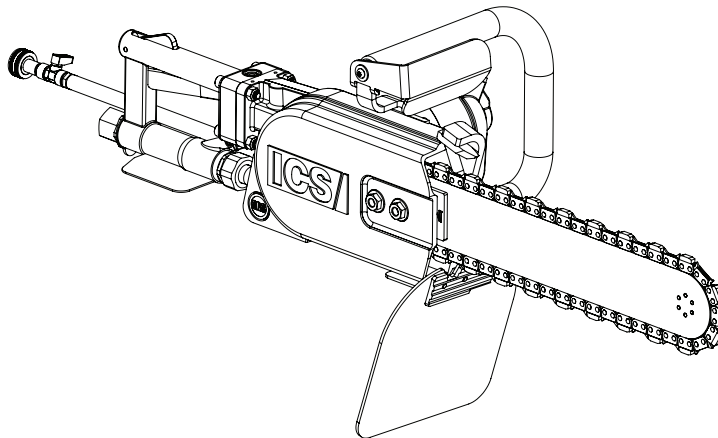


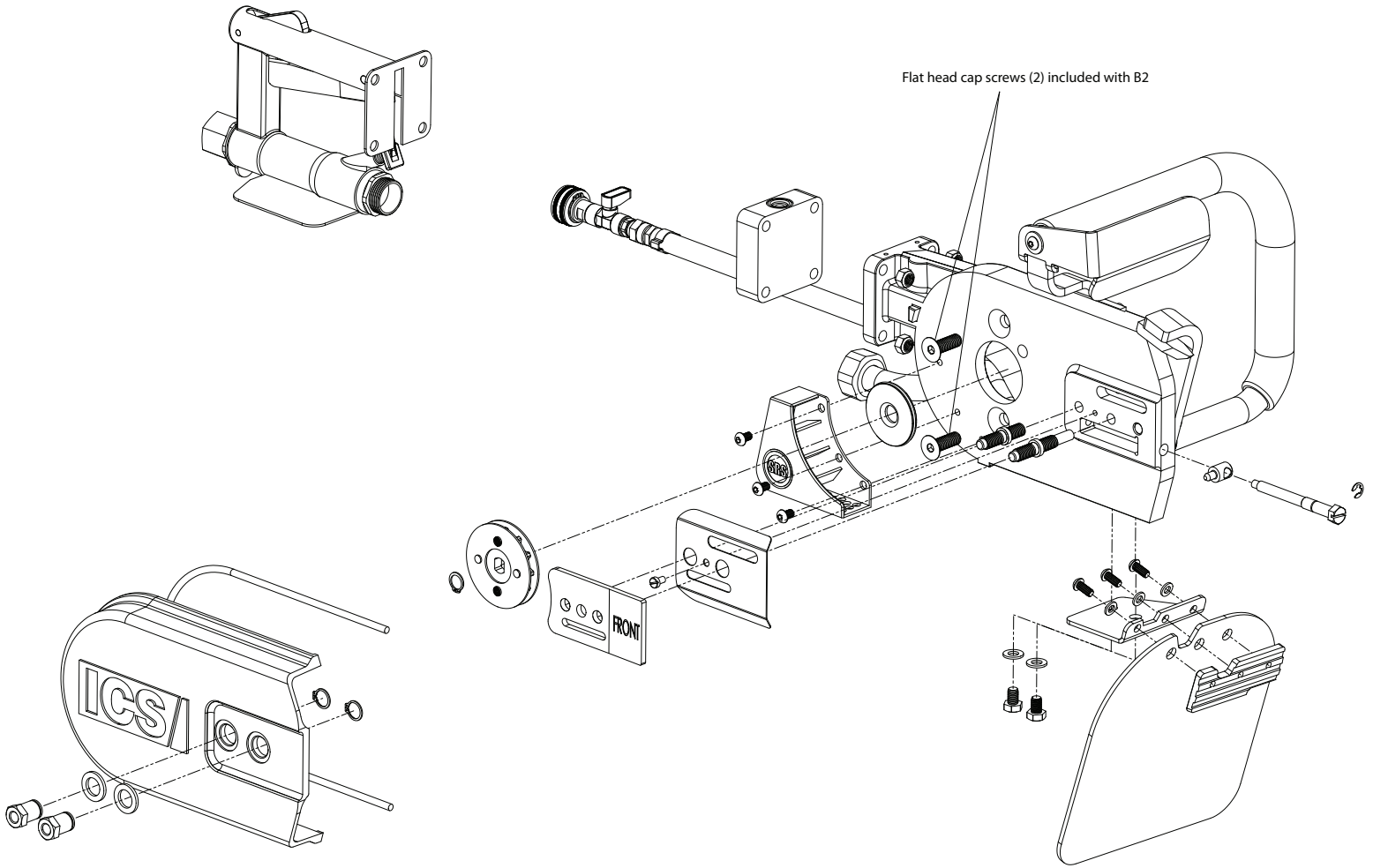


**Diamond Tools and Equipment
for Construction and Infrastructure**

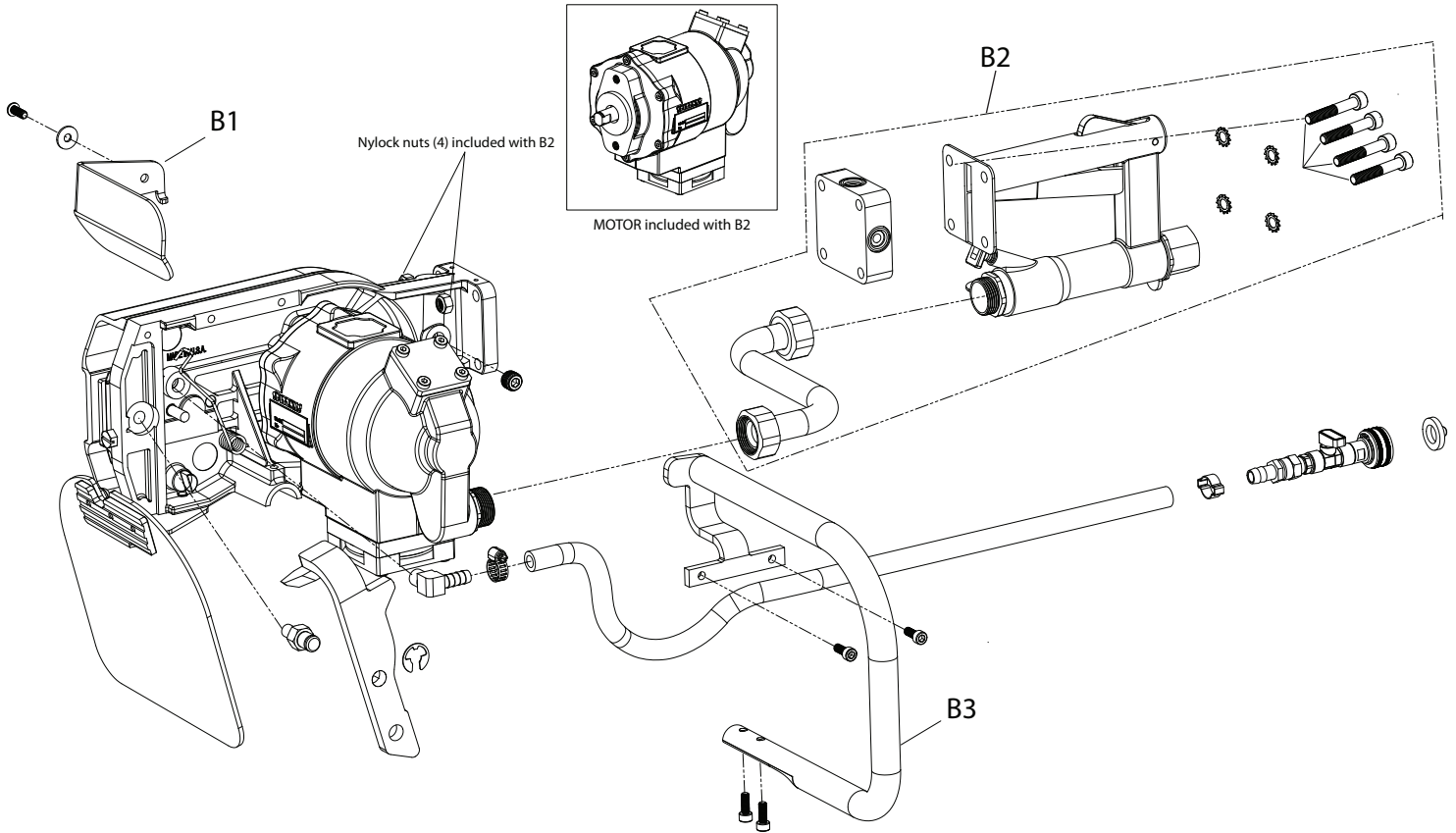
AIR POWERED CONCRETE CUTTING CHAINSAW



Model # 701-A REPLACEMENT PARTS PRICE LIST



Reference ICS 890F4 parts list for pricing and availability of un-numbered items



Key #	Part No.	Description	MSRP
B1	576326	Front Handle Guard Kit	\$44.95
B2	580707	Rear Handle, Motor & Connection Tube kit (fitting, nylock nuts & flat head cap screws included) See page 2 for screw location	\$5,405.00
B3	576325	Front Handle Assembly	\$207.00
Not Shown	575014	701-A Tune-up Kit ¹	\$346.00
Not Shown	575110	PROLUBE, ATL/AF 4 gal case	\$439.00
Not Shown	575130	OILER, w/hose whip, 3/4 X 6 ft	\$401.00

¹Tune-up kit includes: Grooved ball bearing (2), Vane (7), O ring (4), gasket (1), pressure spring (2)

Reference ICS 890F4 parts list for pricing and availability of un-numbered items

701A SERIES REPLACEMENT PARTS LIST

**ICS, Oregon Tool, Inc.
4909 SE International Way
Portland, OR 97222
Tel 800.321.1240
icsdiamondtools.com**