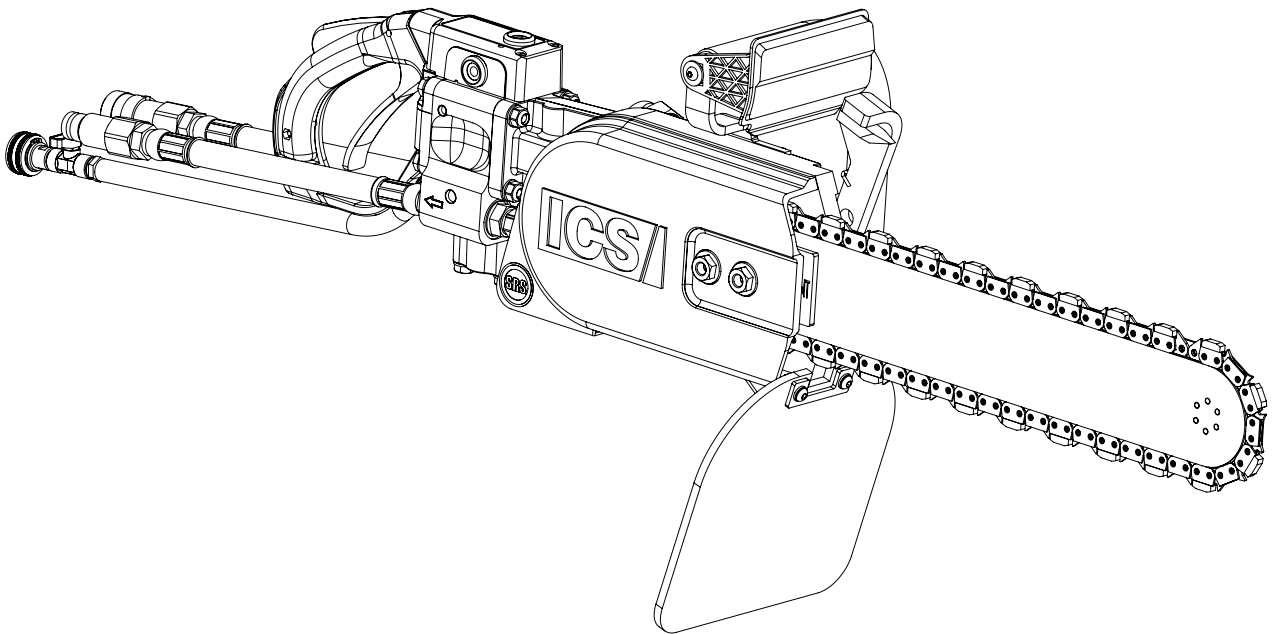




Diamond Tools and Equipment
for Construction and Infrastructure

Replacement Parts & Accessories Price List



880/890 Series Hydraulic Concrete Saw

Effective January 1, 2021

© 2021 ICS. Supersedes all previous pricing. Specifications and pricing are subject to change without notice. REV04292021

TABLE OF CONTENTS

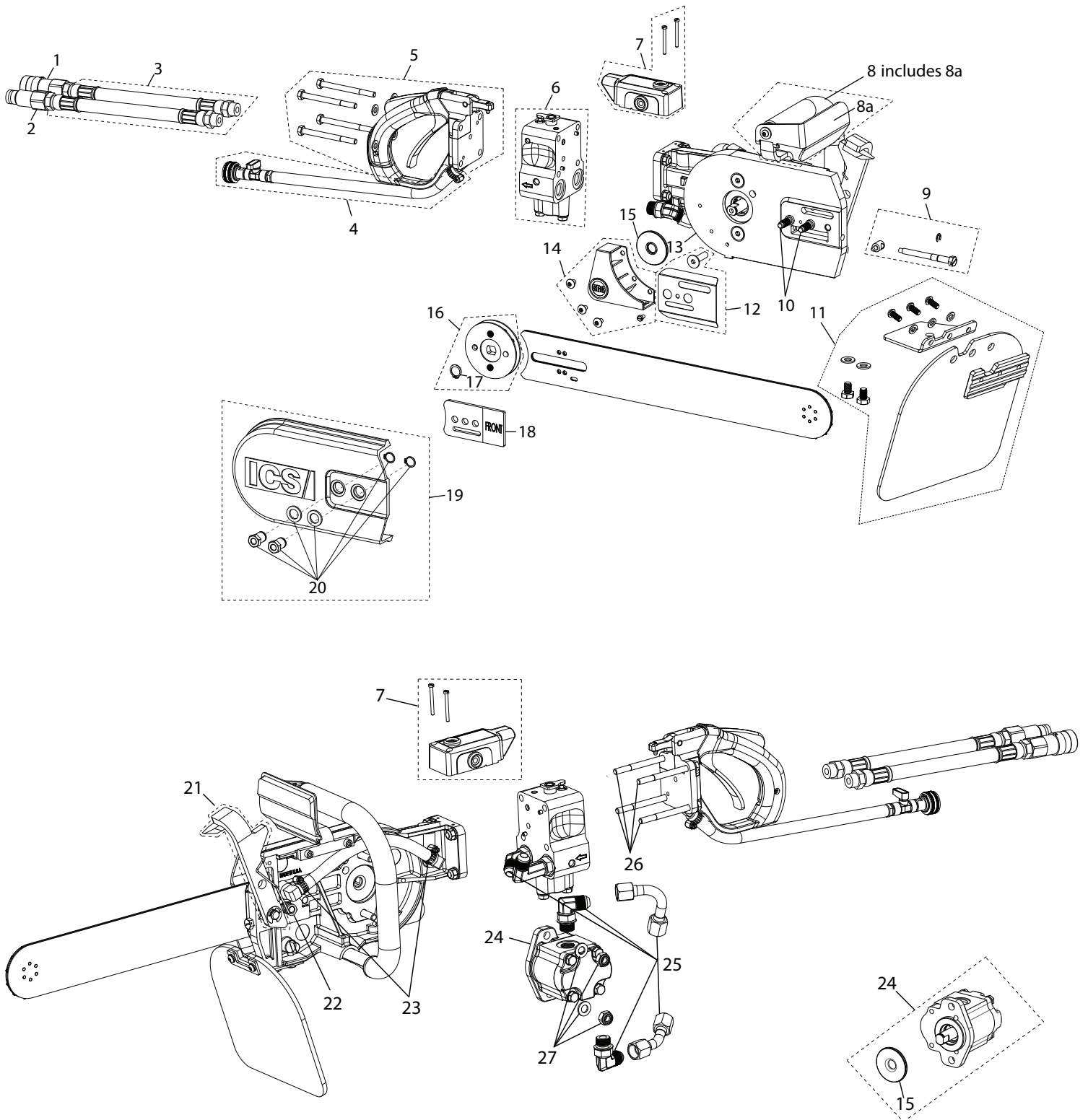
880/890 Series Hydraulic Concrete Saw

ITEM DESCRIPTION	PAGE
880/890 Series Hydraulic Saw Service Parts & Kits	2
880/890 Series Hydraulic Saw Assembly	3 - 4

SERVICE PARTS & KITS

880/890 Series Hydraulic Concrete Saw

Part No.	Description	MSRP
70619	880/890 Series Tensioning Screws, Hydraulic Saws	\$14.25
71526	880/890 Series Hydraulic Valve Spool Kit	\$94.35
72296	880/890 Series Hydraulic Valve Seal Kit	\$30.45
72347	880/890 Series Hydraulic Trigger Lock-Out Spring & Pin Kit	\$26.10
506026	880/890 Series Hydraulic Trigger & Lock-Out Kit	\$42.55
507407	880/890 Series Hydraulic Front Handle Fastener Kit	\$14.15
518869	880/890 Series Hydraulic Water Valve Kit, includes clip, plunger, spring, ball & water bridge spindle	\$114.00
564961	880/890 Series Motor Conversion Kit 8 gpm (30 lpm) - includes drive sprocket/motor bolts	\$809.00
564960	880/890 Series Motor Conversion Kit 12 gpm (45 lpm) - includes drive sprocket/motor bolts	\$809.00
528594	880/890 Series Motor Seal Kit	\$185.00
564923	880/890 Series Shaft Conversion/Replacement Kit 8 gpm (30 lpm)	\$376.00
564924	880/890 Series Shaft Conversion/Replacement Kit 12 gpm (45 lpm)	\$376.00
540291	880/890 Series Side Cover Gasket	\$18.50
72342	880/890 Series Hydraulic Motor Bolt Kit	\$25.05
72344	880/890 Series Valve Bolt Kit	\$27.40
566059	880/890 Series Water Shut-off Valve Kit	\$71.65



Key #	Part No.	Description	MSRP
1	71916	880/890 Series QD, Female, with O-Ring, Kit (hose not included)	\$92.95
2	71917	QD Male with O-Ring (hose not included)	\$53.15
3	70629	880/890 Series Hydraulic Pigtail Kit 1' hoses (set of 2 hoses, QD's included)	\$166.00
3	566556	880/890 Series Hydraulic Hose Whip 8' (one hose only, does not include Quick Disconnects) Not shown	\$98.70
4	566059	880/890 Series Water Shut-off Valve Kit	\$71.65
5	565316	880/890 Series Rear-Handle Replacement Kit	\$238.00
6	528553	880/890 Series Hydraulic Valve Replacement	\$619.00
7	565317	880/890 Series Valve Cover Kit with levels, Black	\$133.00
8	71153	880/890 Series Front Handle Kit (includes 8a) - 8gpm (30 lpm)	\$175.00
8a	74586	880/890 Series Front Hand guard Kit - 8 gpm (30 lpm)	\$41.05
8	71536	880/890 Series Front Handle Kit (includes 8a) - 12gpm (45 lpm)	\$175.00
8a	517874	880/890 Series Front Hand guard Kit - 12 gpm (45 lpm)	\$40.10
9	70636	880/890 Series Tensioner Kit	\$67.30
10	72349	880/890 Series Series Bar Mounting Studs	\$66.30
11	576336	880/890 Series Series Mud Flap Assembly	\$116.00
12	70627	880/890 Series Bar Mount Cover Plate	\$25.05
13	528562	880/890 Series Main Frame	\$377.00
14	512592	Baffle Drain Replacement Kit	\$95.35
15	528563	880/890 Series External Shaft Seal Kit	\$62.95
16	565065	880/890 Series Drive Sprocket (includes snap ring)	\$245.00
17	549796	880/890 Series Snap Ring Kt	\$5.60
18	70628	880/890 Series Bar Retaining Plate	\$35.90
19	528564	880/890 Series Side Cover Replacement Kit	\$212.00
20	70639	880/890 Series Cover Retaining Nuts (set of 2)	\$58.80
21	70641	880/890 Series WallWalker Replacement Kit	\$250.00
22	70640	880/890 Series WallWalker Spring	\$22.95
23	72346	Front Water Hose Kit	\$27.40
24	564962	880/890 Series Hydraulic Motor Replacement Kit - 8 gpm (30 lpm)	\$636.00
24	564983	880/890 Series Hydraulic Motor Replacement Kit - 12 gpm (45 lpm)	\$636.00
25	532400	880/890 Series Hydraulic Plumbing Replacement Kit	\$97.50
26	72344	880/890 Series Valve Bolt Kit	\$27.40
27	72342	880/890 Series Motor bolt kit (x2)	\$25.05

880/890 Series Replacement Parts & Accessories Price List

**ICS, Blount Inc.
4909 SE International Way
Portland, OR 97222
Tel 800.321.1240
icsdiamondtools.com**