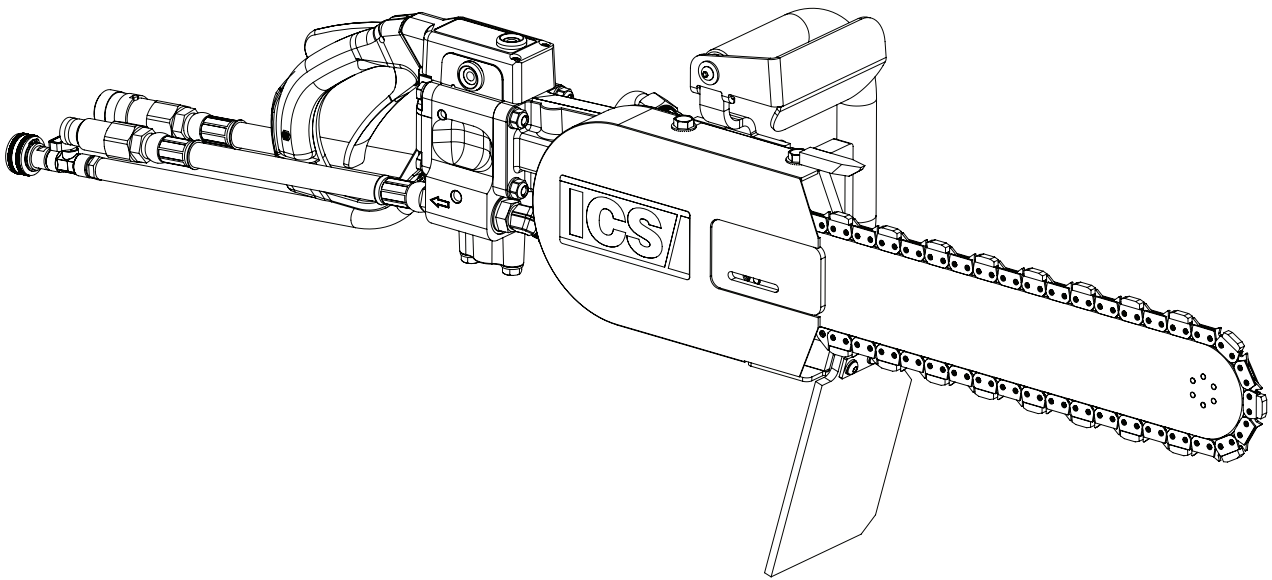




**Diamond Tools and Equipment**  
for Construction and Infrastructure

# Replacement Parts & Accessories Price List



## 880/890 FLUSH Series Hydraulic Concrete Saw

Effective January 1, 2021

© 2021 ICS. Supersedes all previous pricing. Specifications and pricing are subject to change without notice. REV04292021

# TABLE OF CONTENTS

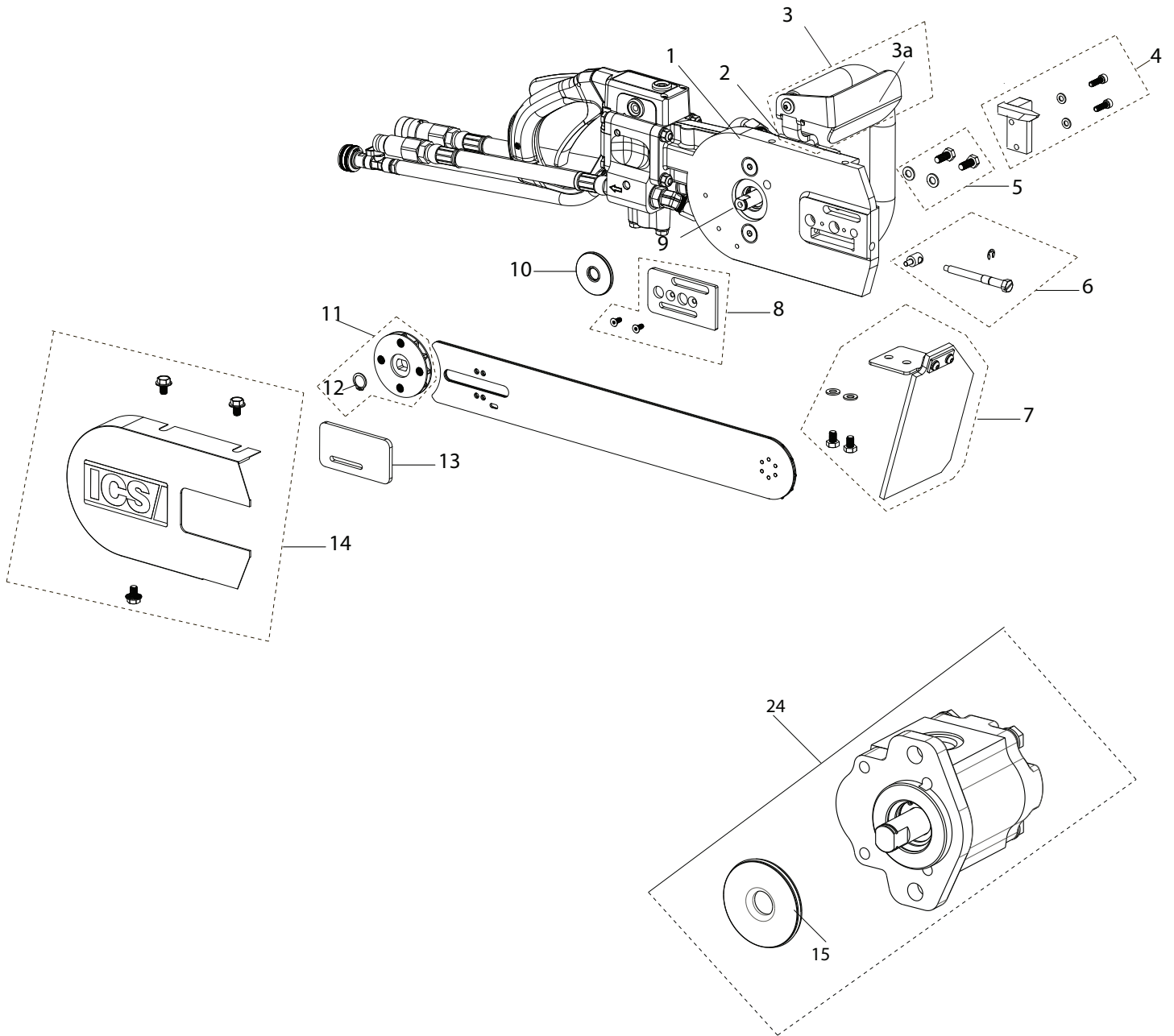
## 880/890 FLUSH Series Hydraulic Concrete Saw

ITEM DESCRIPTION	KEY	PAGE
880/890 FLUSH Series Hydraulic Saw Service Parts & Kits	n/a	2
880/890 FLUSH Series Hydraulic Saw Assembly	B	3-4

# SERVICE PARTS & KITS

## 880/890 FLUSH Series Hydraulic Concrete Saw

<b>Part No.</b>	<b>Description</b>	<b>MSRP</b>
70619	880/890 Series Tensioning Screws, Hydraulic Saws	\$14.25
71526	880/890 Series Hydraulic Valve Spool Kit	\$94.35
72296	880/890 Series Hydraulic Valve Seal Kit	\$30.45
72347	880/890 Series Hydraulic Trigger Lock-Out Spring & Pin Kit	\$26.10
506026	880/890 Series Hydraulic Trigger & Lock-Out Kit	\$42.55
507407	880/890 Series Hydraulic Front Handle Fastener Kit	\$14.15
518869	880/890 Series Hydraulic Water Valve Kit, includes clip, plunger, spring, ball & water bridge spindle	\$114.00
564985	880/890 Series Motor Conversion Kit 8 gpm (30 lpm) - includes drive sprocket/motor bolts	\$809.00
564984	880/890 Series Motor Conversion Kit 12 gpm (45 lpm) - includes drive sprocket/motor bolts	\$809.00
528594	880/890 Series Motor Seal Kit	\$185.00
564923	880/890 Series Shaft Conversion/Replacement Kit 8 gpm (30 lpm)	\$376.00
564924	880/890 Series Shaft Conversion/Replacement Kit 12 gpm (45 lpm)	\$376.00
540291	880/890 Series Side Cover Gasket	\$18.50
72342	880/890 Series Hydraulic Motor Bolt Kit	\$25.05
72344	880/890 Series Valve Bolt Kit	\$27.40
566059	880/890 Series Water Shut-off Valve Kit	\$71.65



Key #	Part No.	Description	MSRP
1	532512	880/890 FLUSH Series Mainframe Replacement Kit	\$377.00
2	564962	880/890 FLUSH Series Replacement Motor Kit 8gpm/30 lpm	\$636.00
2	564983	880/890 FLUSH Series Replacement Motor Kit 12 gpm/45 lpm	\$636.00
3	523947	880/890 FLUSH Series Front Handle Kit (includes 3a) 8gpm/30 lpm	\$215.00
3a	74586	880/890 FLUSH Series Front Handguard Kit 8gpm/30 lpm	\$41.05
3	567102	880/890 FLUSH Series Front Handle Kit (includes 3a) 12gpm/45 lpm	\$215.00
3a	517874	880/890 FLUSH Series Front Handguard Kit 12 gpm/45 lpm	\$40.10
4	524673	880/890 FLUSH Series WallWalker Spike Kit	\$254.00
5	524658	880/890 FLUSH Series Bar Clamp Bolt Kit	\$18.50
6	523946	880/890 FLUSH Series Tensioner Kit	\$58.60
7	576682	880/890 FLUSH Series Guard Flap Assembly Kit	\$65.15
8	523945	880/890 FLUSH Series Spacer Plate Kit	\$336.00
9	564923	880/890 FLUSH Series Shaft Conversion Kit w/Motor Seals 8gpm/30 lpm	\$376.00
9	564924	880/890 FLUSH Series Shaft Conversion Kit w/ Motor Seals 12gpm/45 lpm	\$376.00
10	528563	880/890 FLUSH External Shaft Seal	\$62.95
11	565066	890 FLUSH Series Drive Sprocket Kit (includes Snap ring) 8gpm/12gpm(30 lpm/45 lpm) <b>890 ONLY</b>	\$245.00
11	549761	880 FLUSH Series Drive Sprocket Kit (includes Snap ring) 8gpm/12gpm(30 lpm/45 lpm)	\$250.00
12	549796	880/890 FLUSH Series Snap ring Kit	\$5.60
13	524657	880/890 FLUSH Series Bar Clamp Plate Kit	\$125.00
14	532515	880/890 FLUSH Series Side Cover Kit	\$346.00
		* All other replacement parts are the same as 880/890 Series	
		**Replacement parts for Trigger are listed on page 2	

**880/890 FLUSH Series Replacement Parts & Accessories Price List**

**ICS, Blount Inc.  
4909 SE International Way  
Portland, OR 97222 USA  
800.321.1240  
icsdiamondtools.com**