

4 Speed Gearbox Oil Change



Gearbox maintenance requires periodic oil changes as specified by the manufacturer in the operator's manual. Using the maintenance schedule, follow the manufacturer's recommendation for gearbox oil changes.

Draining the gearbox:

Step 1: Use an oil pan and drain the oil from the gearbox by removing the magnetic plug located on the backside of the gearbox center casting.

Note: Allow extra time, due to the oil viscosity, to drain completely.

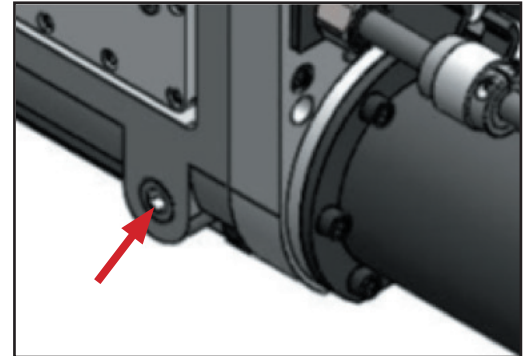


Figure 1: Magnetic drain plug

Step 2: To aid in oil draining, remove one of the gearbox breather hoses and fittings mounted on top of the center casting.

Note: Your gearbox model may have different fittings than shown in the image.

Note: For reference, the gearbox breather hoses are typically blue.

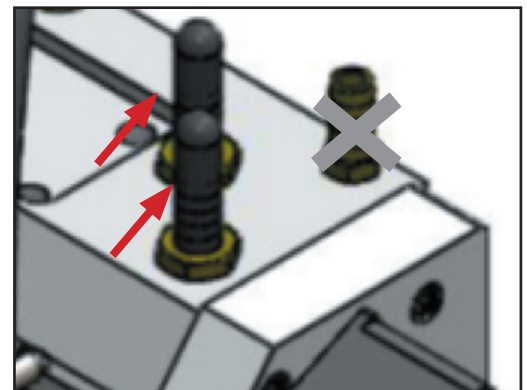


Figure 2: Gearbox breather fittings

Refilling the Gearbox:

Step 3: Clean the drain plug and add Teflon dope to the threads before reinstalling.

Step 4: Remove the fill level plug located on the end cap side with the shifter levers.

Note: Before refilling, level the gearbox using a level to ensure proper oil level.

Step 5: Using **85-140 gear oil**, slowly pour the oil into the fill level port, allowing it to flow and seep through the gears, bearings, and to the output shaft housings. When the gearbox is full, oil will flow from the fill level port.

Step 6: Reinstall install plug and wipe off any excess oil.

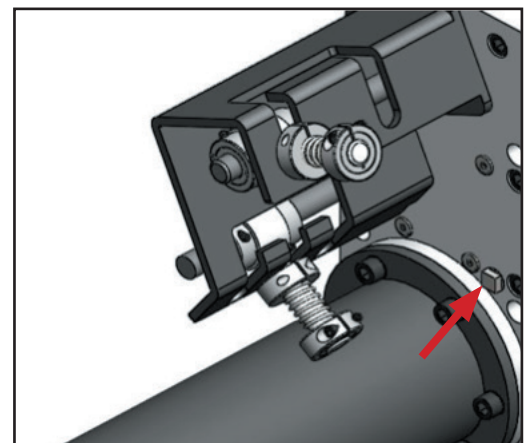


Figure 3: Fill level plug

CUSTOMER SUPPORT: 800.321.1240 EMAIL: orders@icsdiamondtools.com