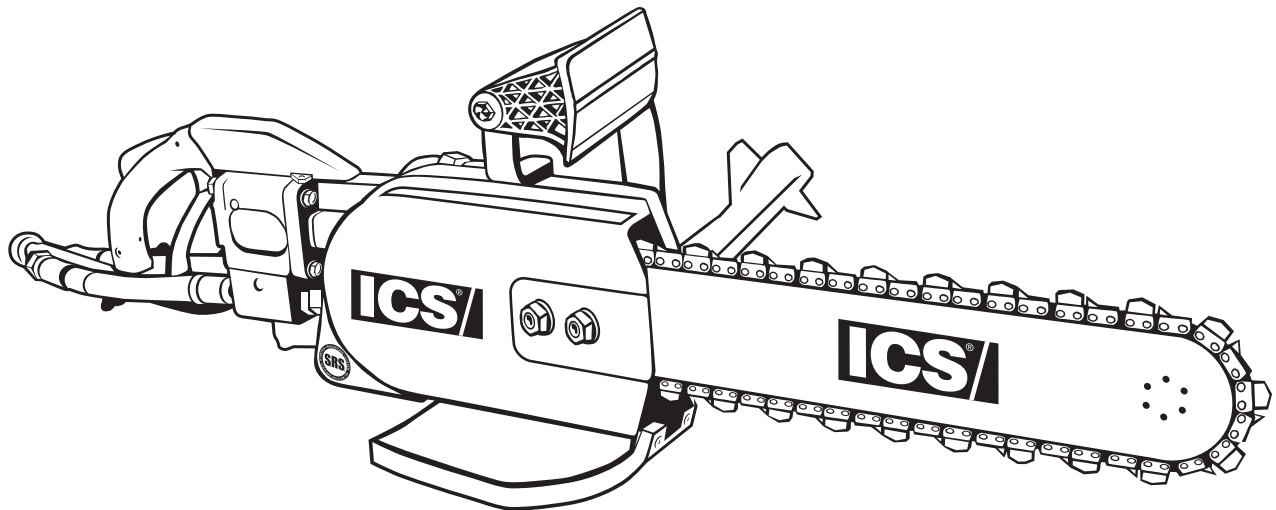




Replacement Parts & Accessories Price List



853PRO Series Hydraulic Concrete Saw

Effective January 1, 2020

TABLE OF CONTENTS

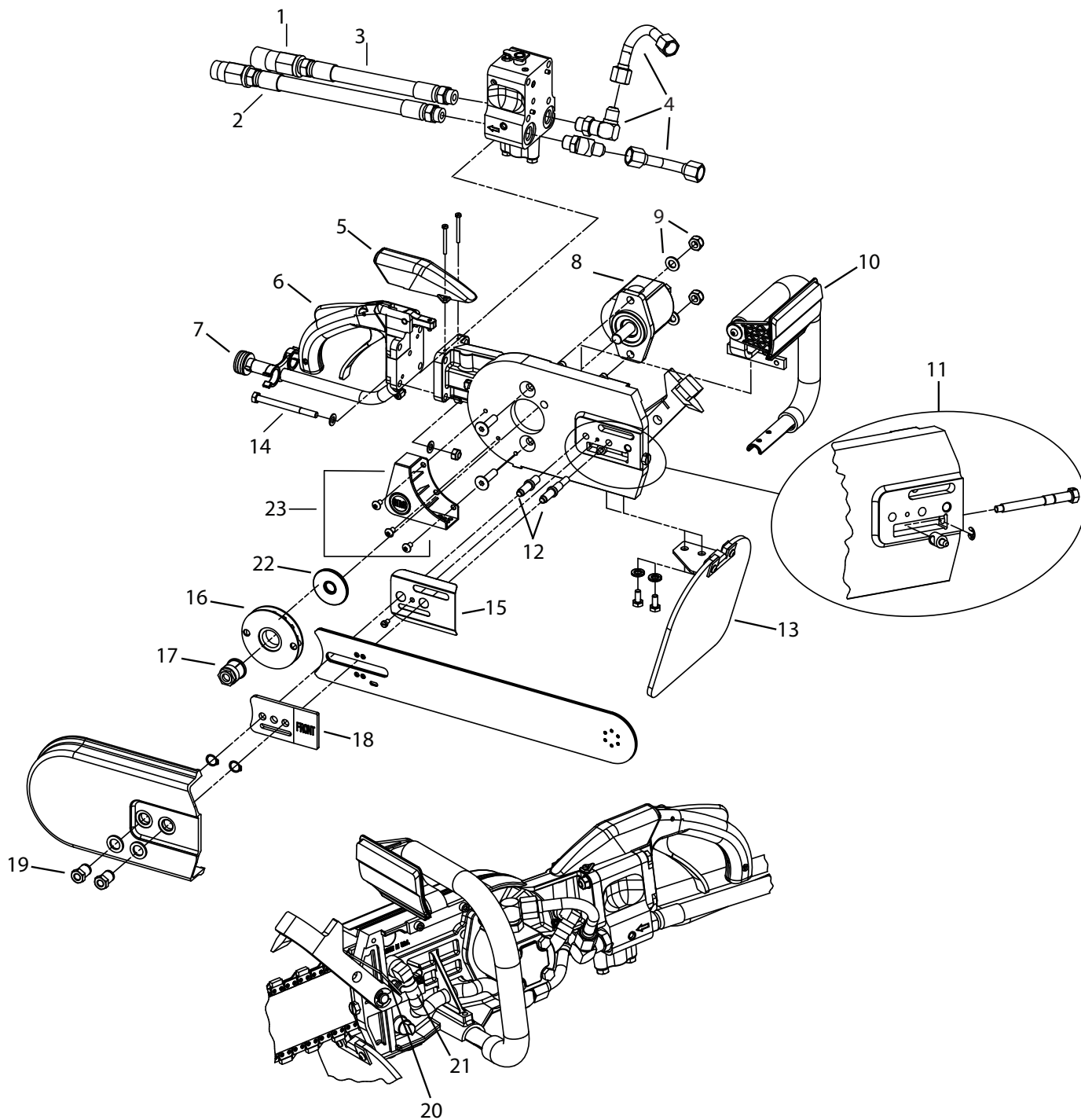
853PRO Series Hydraulic Concrete Saw

ITEM DESCRIPTION	KEY	PAGE
853PRO Hydraulic Service Parts & Kits		iii
853PRO Hydraulic Saw Assembly	A	1-2

SERVICE PARTS & KITS

853PRO Series Hydraulic Concrete Saw

Part No.	Description	MSRP
70619	Tensioning Screws, Hydraulic Saws	\$14.10
70621	853PRO Motor Seal Kit - This motor is no longer supported and will need to be upgraded, please call ICS Customer Service at 800.321.1240 for details.	CALL
71526	853PRO Hydraulic Valve Spool Kit	\$93.40
72296	823H, 853PRO Hydraulic Valve Seal Kit	\$30.10
72347	823H, 853PRO Trigger Lock-Out Spring & Pin Kit	\$25.80
506026	Trigger & Lock-Out Kit, 853PRO Series	\$42.10
507407	Front Handle Fastener Kit, 853PRO Series	\$14.00
72378	Water Gauge Plug	CALL
518869	Water Valve Kit, includes clip, plunger, spring, ball & water bridge spindle	\$112.70
540291	Side Cover Gasket	\$18.30
540290	Hydraulic End Cap Set	\$18.30



Key #	Part No.	Description	MSRP
1	71916	853PRO QD, Female, with O-Ring, Kit	\$88.00
2	71917	QD Male with O-Ring	\$52.60
3	70629	853PRO Hydraulic Pigtail Kit	\$164.30
4	70632	853PRO Hydraulic Plumbing Replacement Kit	\$75.30
5	70630	853PRO Trigger Cover Kit with Level	CALL
6	CALL	853PRO Rear-Handle Replacement Kit	CALL
7	72345	823H, 853PRO Series Water Hose Kit	\$62.30
8	CALL	853PRO Plus Hydraulic Motor Replacement Kit	CALL
9	72342	823H, 853PRO Motor Bolt Kit	\$24.80
10	CALL	823H, 853PRO 8gpm (30 lpm) Front Handle Assembly	CALL
10	CALL	853PRO Plus 12gpm (45 lpm) Front Handle Assembly	CALL
11	70636	853PRO Tensioner Kit	\$66.60
12	72349	823H, 853PRO Series Bar Mounting Studs	\$65.60
13	72408	853PRO Series Guard Flap Assembly	CALL
14	72344	823H, 853PRO Series Valve Bolt Kit	\$27.10
15	70627	853PRO Bar Mount Cover Plate	\$24.80
16	72289	823H, 853PRO Sprocket Assy 14T (Impact Absorbing Model)	CALL
16	71105	823H, 853PRO Sprocket Assy 14T (Standard Model)	CALL
17	70618	853PRO Trantorque® Shaft Adaptor 9/16 in (14 mm)	\$121.40
18	70628	853PRO Bar Retaining Plate	\$35.50
19	70639	853PRO Cover Retaining Nuts (set of 2)	\$58.20
20	70641	853PRO WallWalker Replacement Kit	\$246.60
21	70640	853PRO WallWalker Spring	\$22.70
22	70992	853PRO Series External Shaft Seal Kit	\$66.60
23	512592	Baffle Drain Replacement Kit	\$94.40

853PRO Series Replacement Parts & Accessories Price List

**ICS, Blount Inc.
4909 SE International Way
Portland, OR 97222
Tel 800.321.1240
icsdiamondtools.com**