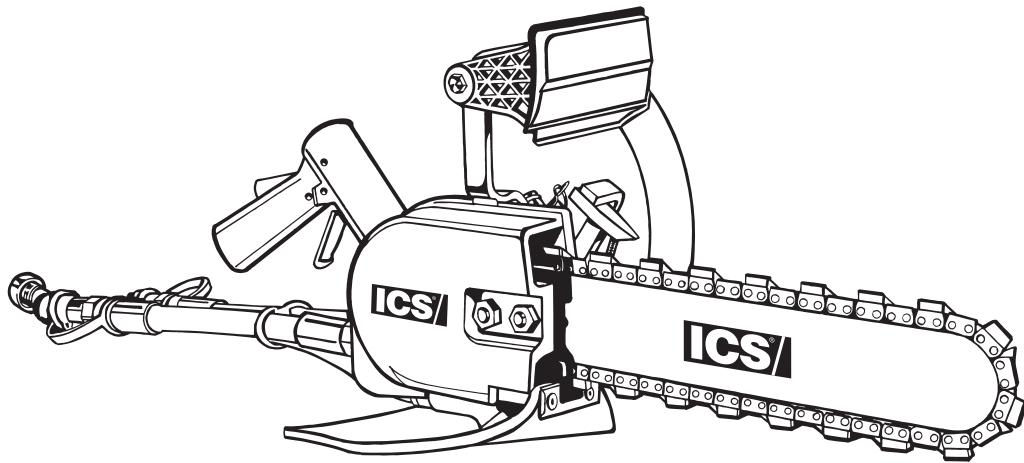




Replacement Parts & Accessories Price List



814PRO Hydraulic Concrete Saw

Effective January 1, 2020

TABLE OF CONTENTS

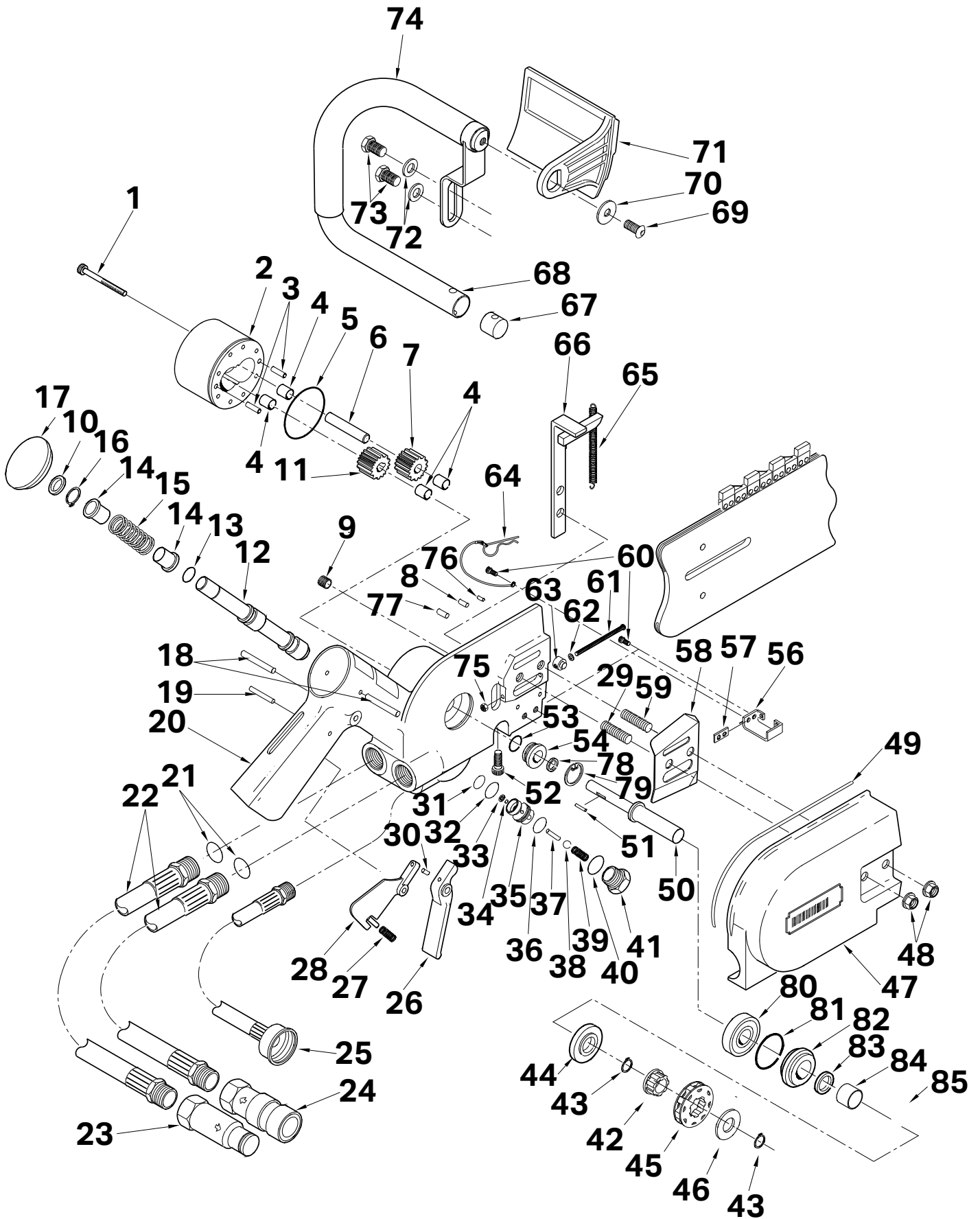
814PRO Hydraulic Concrete Saw

ITEM DESCRIPTION	KEY	PAGE
814PRO Hydraulic Saw Service Parts & Kits	n/a	1
814PRO Hydraulic Saw Assembly (Parts 1-46)	A	2-3
814PRO Hydraulic Saw Assembly (Parts 47-85)	A	4-5

SERVICE PARTS & KITS

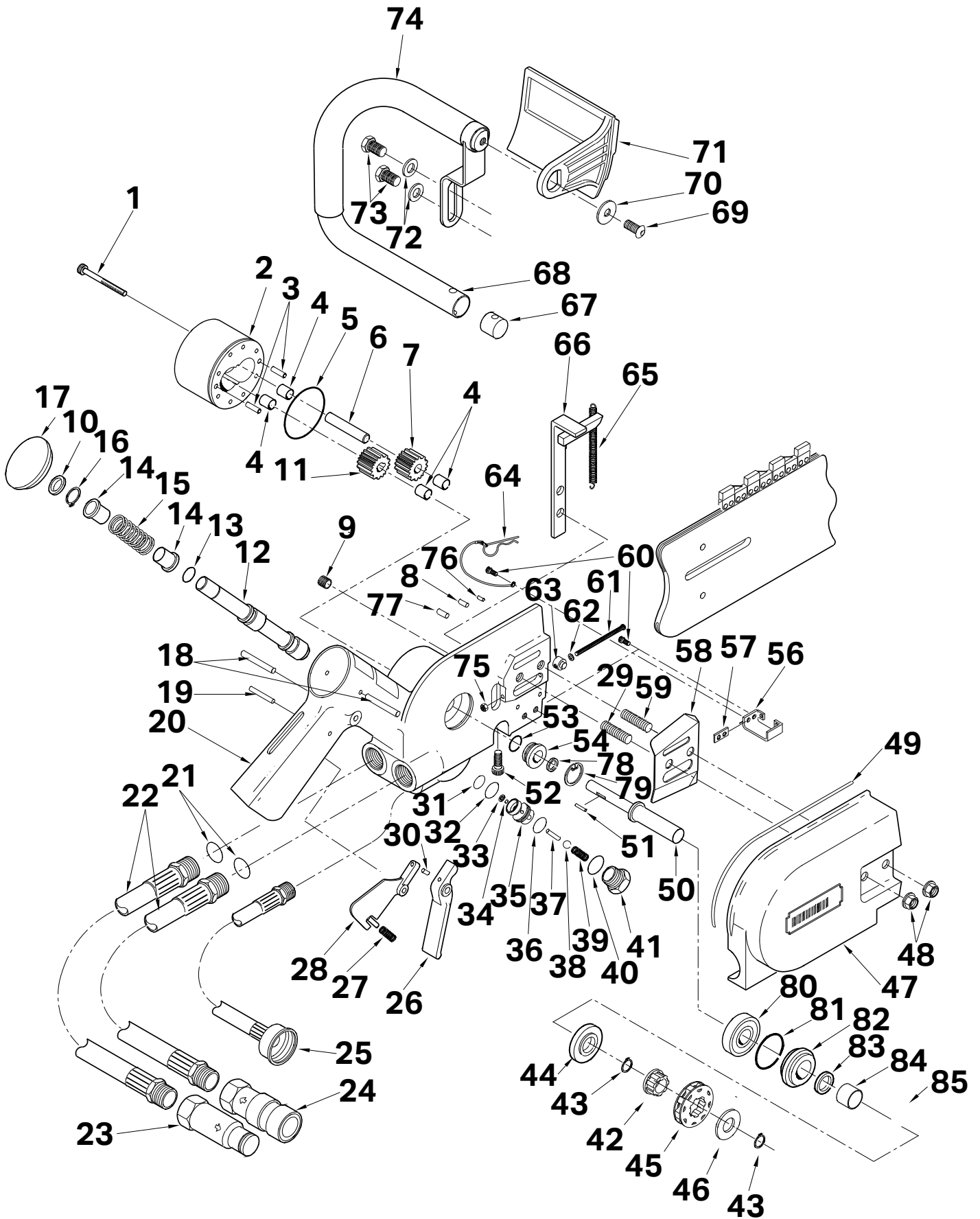
814PRO Hydraulic Concrete Saw

Part No.	Description	MSRP
71152	Tensioning Scrench, Hydraulic Saws	\$18.70
71944	Water Valve Seal Kit, includes: 34, 35, 37, 39, & 43	\$54.90
71945	Motor Shaft Seal Kit, includes 5,53,78,79,81,83	\$144.90
74061	Chain Tensioning Assembly, includes 61,62,63,75	\$114.80
75260	814PRO Rim Sprocket Upgrade Kit	\$775.80
74042	Guidebar - 13 in (33cm)	\$209.00
74719	TwinPRO-25 - 13 in (33cm)	\$694.00
74510	Bar nose repair kit	\$40.50



814PRO • KEY A PARTS (1 - 46)

Key #	Part No.	Description	MSRP
1	74514	HSH Cap Screw 10-24 x 1 1/4	\$6.70
2	74515	Rear Gear Housing Assembly	\$311.40
3	74516	Dowl Pin	\$5.70
4	74517	Bushing (4)	\$45.90
5	74518	O-Ring	\$13.30
6	74519	Idler Shaft	\$60.20
7	74520	Idler Gear	\$205.60
8	74021	WallWalker Pivot Pin	\$35.20
9	74597	1/8 NPT Plug	\$15.60
10	74596	Wiper Seal	\$47.20
11	74522	Drive Gear, with Keyway	\$238.50
12	74523	On-Off Valve	\$158.70
13	74524	Hydraulic Valve Seal	\$13.30
14	74525	Spring Washer	\$36.30
15	74526	Spring	\$31.90
16	74527	Retaining Ring, 1/2 External	\$10.00
17	74528	Plug Button	\$13.30
18	74529	Roll Pin	\$5.70
19	74530	Roll Pin	\$5.70
20	74531	Valve Handle Assembly includes 74540 & 74569	\$1,485.90
21	74532	O-Ring	\$4.60
22	74533	Pigtail Hose Assembly	\$61.50
23	74534	1/2 in (1.3 cm) Flush Face Coupler (M)	\$59.20
24	74535	1/2 in (1.3 cm) Flush Face Coupler (F)	\$117.10
25	74536	Water Hose Assembly	\$130.10
26	74537	Trigger	\$63.50
27	74538	Spring	\$5.70
28	74539	Safety Catch, Trigger Lock-Out	\$59.20
29	74540	Rear Stud	\$86.50
30	74542	Roll Pin	\$3.60
31	74543	O-Ring	\$9.90
32	74544	O-Ring	\$11.00
33	74545	Self Locking Retaining Ring	\$12.30
34	74546	O-Ring	\$5.75
35	74547	Water Valve Sleeve	\$187.00
36	74548	O-Ring	\$11.00
37	74549	Pin	\$70.20
38	74550	Steel Ball	\$8.00
39	74551	Spring	\$10.00
40	74552	O-Ring	\$12.30
41	74553	Seal Cap	\$91.80
42	71386	Splined Sprocket Adaptor	\$96.70
43	71384	External Shaft Retaining Ring	\$9.70
44	74497	Seal Spacer	\$56.40
45	71385	Rim Sprocket	\$37.80
46	71388	Tabbed Washer	\$15.10



Key #	Part No.	Description	MSRP
47	71940	Side Cover Replacement Kit	\$380.50
48	74558	Flange Nut, M10	\$7.20
49	74559	Sprocket Side Cover Seal	\$31.20
50	71383	814PRO Motor Shaft Replacement	\$209.10
51	74561	Needle Roller	\$21.00
52	74562	HSH Cap Screw 5/15-18 x 3/4	\$9.20
53	74563	Shaft Seal	\$11.30
54	74564	Seal Back Up Washer	\$51.60
55	74591	Guard Flap Assembly (Not Shown)	\$56.90
56	74566	Guard Flap Mount	\$130.10
57	74567	Spacer	\$45.90
58	74568	Bar Mount Cover Plate	\$41.90
59	74569	Front Stud	\$91.80
60	74570	HSH Cap Screw 1/4-20 x 5/8	\$12.30
61	74571	Machine Screw	\$13.30
62	74572	Stat-O-Seal	\$17.90
63	74573	Bar Adjustment Nut	\$61.80
64	74019	Lanyard Assembly	\$31.20
65	74582	WallWalker Spring	\$17.60
66	74583	WallWalker Arm, with Spring	\$101.80
67	74574	Handle Bar Retainer	\$33.20
68	74575	Handle Bar	\$375.90
69	74584	Guard Mounting Bolt	\$13.30
70	74585	Guard Mounting Washer	\$13.30
71	74586	Front Handguard	\$40.60
72	74576	Washer	\$2.30
73	74577	HH Cap Screw 5/16-18 x 5/8, Zinc	\$3.60
74	74588	Handlebar Grip	\$22.00
75	74579	Nut 1/4-20 HHD LT SST	\$12.30
76	74580	Spiral Pin	\$5.70
77	74581	Spiral Pin	\$11.00
78	74493	Quad-Ring	\$11.00
79	74565	Retaining Ring	\$13.30
80	74554	Shaft Bearing Race	\$141.80
81	74498	O-Ring	\$11.00
82	74495	Seal Washer	\$54.40
83	74494	V-Ring	\$28.60
84	74496	Seal Ring	\$32.90
85	74555	Retaining Ring	\$17.90

814PRO Replacement Parts & Accessories Price List

**ICS, Blount Inc.
4909 SE International Way
Portland, OR 97222
Tel 800.321.1240
icsdiamondtools.com**