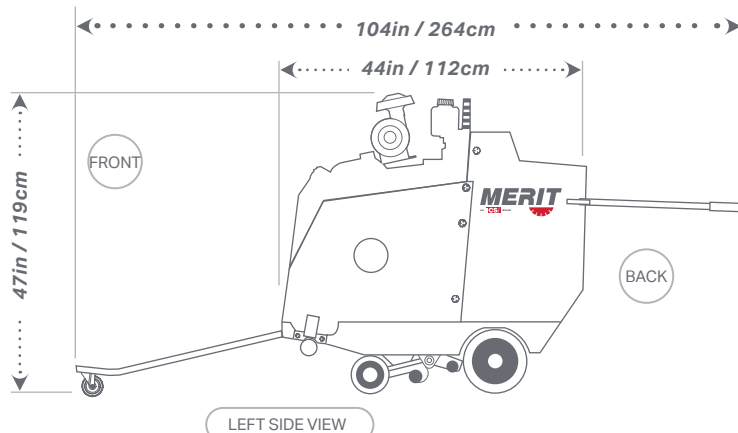
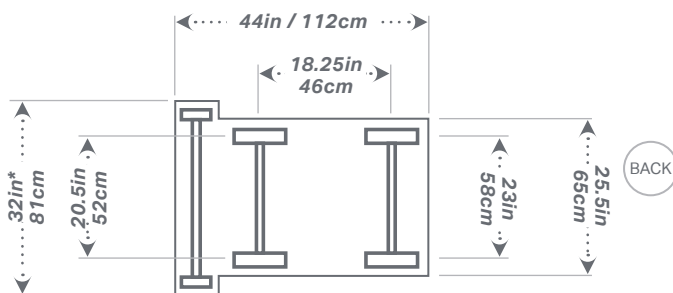




## M400SS-50G - GAS POWER

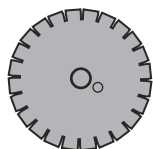


LEFT SIDE VIEW



BOTTOM VIEW

\*32in / 82cm Standard  
30.5in / 77.5cm QD w/components  
28.375in / 72cm QD (Flush) w/components



**14in - 30in**  
**35cm - 76cm**

**13in/33cm Max Cut**



### SPECIFICATIONS

<b>Raise &amp; Lower Control</b>	Button or standard
<b>Air Filter</b>	2 stage
<b>Blade Mounting</b>	Left and right
<b>Blade Shaft Drive</b>	1in / 2.5cm with 4in / 10cm arbors
<b>Approx. Weight</b>	1150lbs. / 522kg.
<b>Drive Speed</b>	0-240 FPM
<b>Depth Control</b>	Mechanical
<b>Arbor Size</b>	1in / 2.5cm
<b>Engine Manufacturer</b>	Kubota
<b>Fuel Capacity</b>	6.5 gallons / 25L

BLADE GUARD IN	BLADE GUARD CM
14 x 2	35.5 x 5
18 x 2	46 x 5
20 x 2	50 x 5
24 x 2	61 x 5
26 x 2	66 x 5
30 x 3	76 x 7

### 400SS SERIES - 50HP - GAS - REAR PIVOT - 1 SPEED

M400SS-50G-R1-1110	M400SS, 50HP, GAS, REAR PIVOT, 1 SPEED, STANDARD CONTROL, STANDARD BLADE MOUNT, LIGHT KIT
M400SS-50G-R1-2110	M400SS, 50HP, GAS, REAR PIVOT, 1 SPEED, BUTTON CONTROL, STANDARD BLADE MOUNT, LIGHT KIT
M400SS-50G-R1-1210	M400SS, 50HP, GAS, REAR PIVOT, 1 SPEED, STANDARD CONTROL, QUICK DISCONNECT BLADE MOUNT, LIGHT KIT
M400SS-50G-R1-2210	M400SS, 50HP, GAS, REAR PIVOT, 1 SPEED, BUTTON CONTROL, QUICK DISCONNECT BLADE MOUNT, LIGHT KIT

### 400SS SERIES - 50HP - GAS - REAR PIVOT - 4 SPEED

M400SS-50G-R4-1110	M400SS, 50HP, GAS, REAR PIVOT, 4 SPEED, STANDARD CONTROL, STANDARD BLADE MOUNT, LIGHT KIT
M400SS-50G-R4-2110	M400SS, 50HP, GAS, REAR PIVOT, 4 SPEED, BUTTON CONTROL, STANDARD BLADE MOUNT, LIGHT KIT
M400SS-50G-R4-1210	M400SS, 50HP, GAS, REAR PIVOT, 4 SPEED, STANDARD CONTROL, QUICK DISCONNECT BLADE MOUNT, LIGHT KIT
M400SS-50G-R4-2210	M400SS, 50HP, GAS, REAR PIVOT, 4 SPEED, BUTTON CONTROL, QUICK DISCONNECT BLADE MOUNT, LIGHT KIT

[ICSDIAMONDTOOLS.COM](http://ICSDIAMONDTOOLS.COM) | 800.321.1240