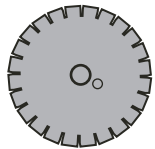
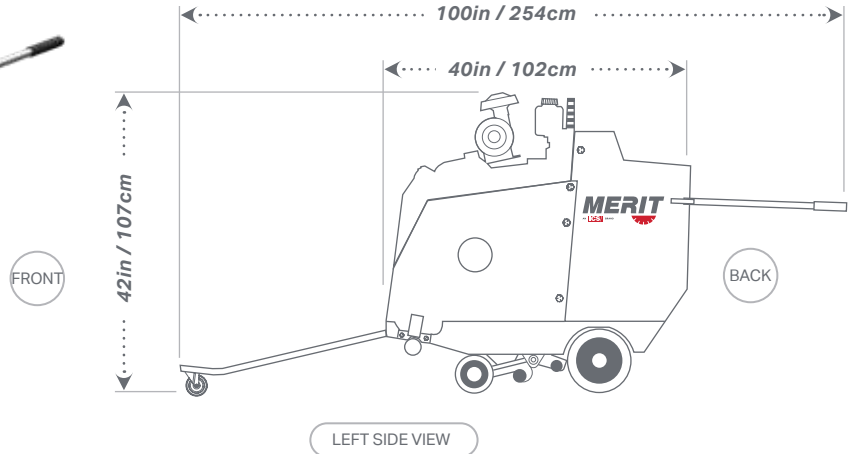
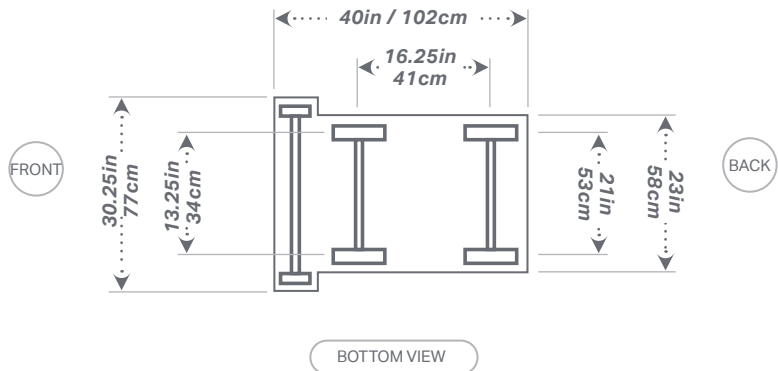


## M350-20E-R4 ELECTRIC POWER



**14in - 30in**  
35cm - 76cm

**13in/33cm Max Cut**



### SPECIFICATIONS

<b>Raise &amp; Lower Control</b>	Standard
<b>Air Filter</b>	N/A
<b>Blade Mounting</b>	Left and right
<b>Blade Shaft Drive</b>	1in / 2.5cm with 4in / 10cm arbors
<b>Approx. Weight</b>	900lbs. / 408kg.
<b>Drive Speed</b>	0-200 FPM
<b>Depth Control</b>	Mechanical
<b>Arbor Size</b>	1in / 2.5cm
<b>Engine Manufacturer</b>	Baldor
<b>Voltage</b>	480V 3-phase

BLADE GUARD IN	BLADE GUARD CM
14 x 2	35.5 x 5
18 x 2	46 x 5
20 x 2	50 x 5
24 x 2	61 x 5
26 x 2	66 x 5
30 x 3	76 x 7

Part Number	Description
M350-20E-R4-1110	M350, 20HP, ELECTRIC, REAR PIVOT, 4 SPEED, STANDARD CONTROL, STANDARD BLADE MOUNT, LIGHT KIT