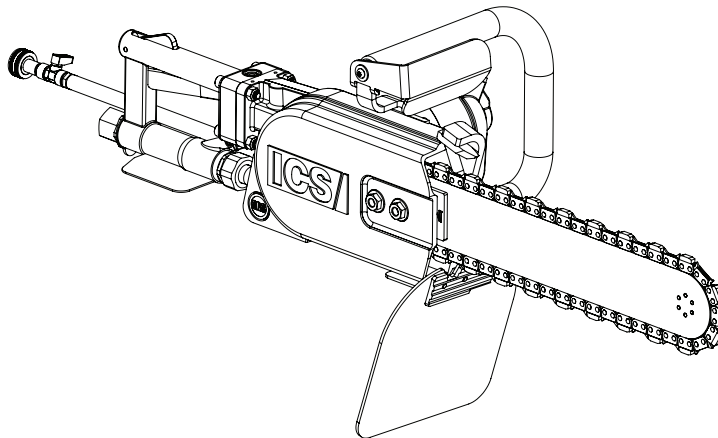


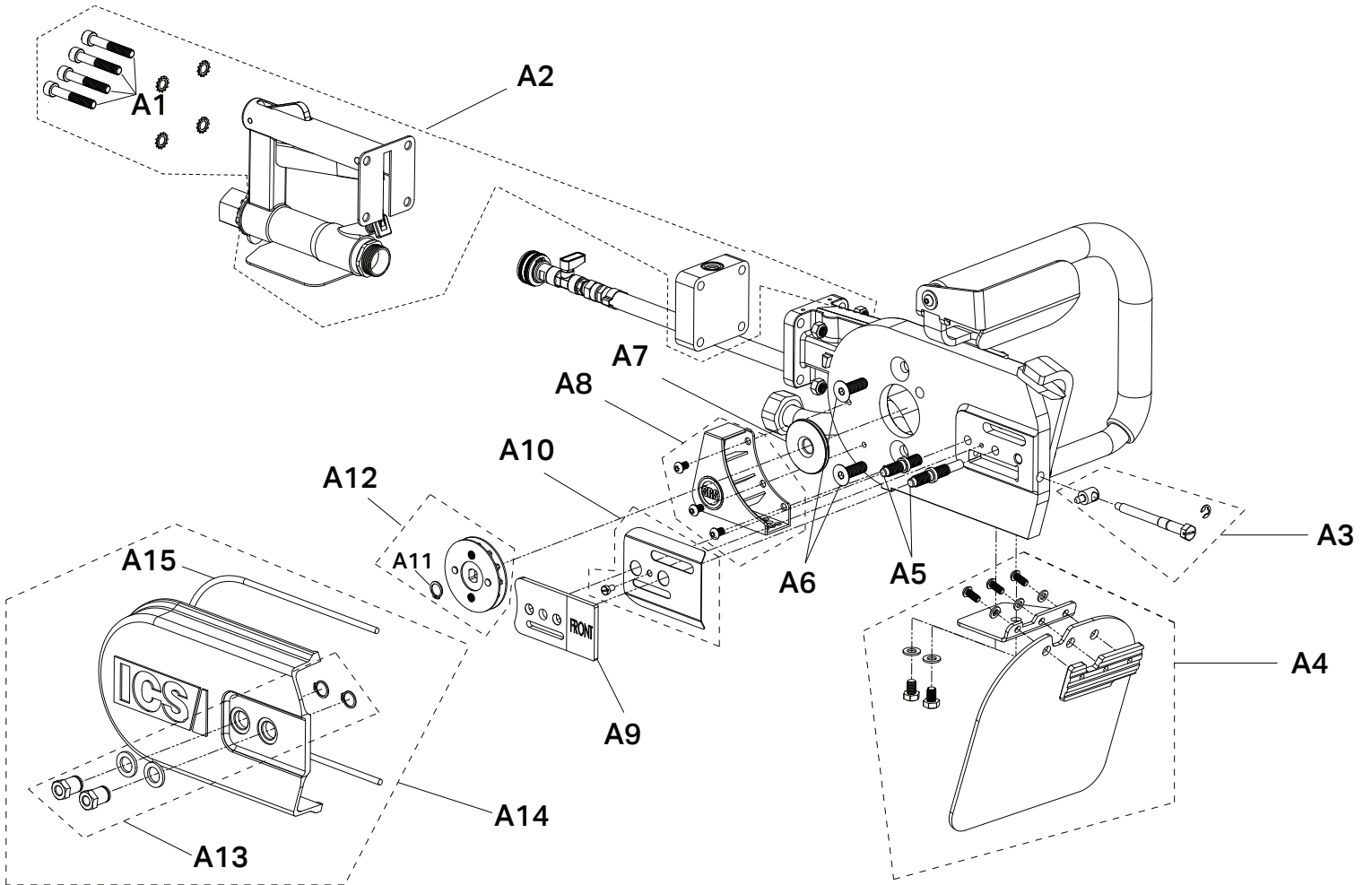


**Diamond Tools and Equipment
for Construction and Infrastructure**

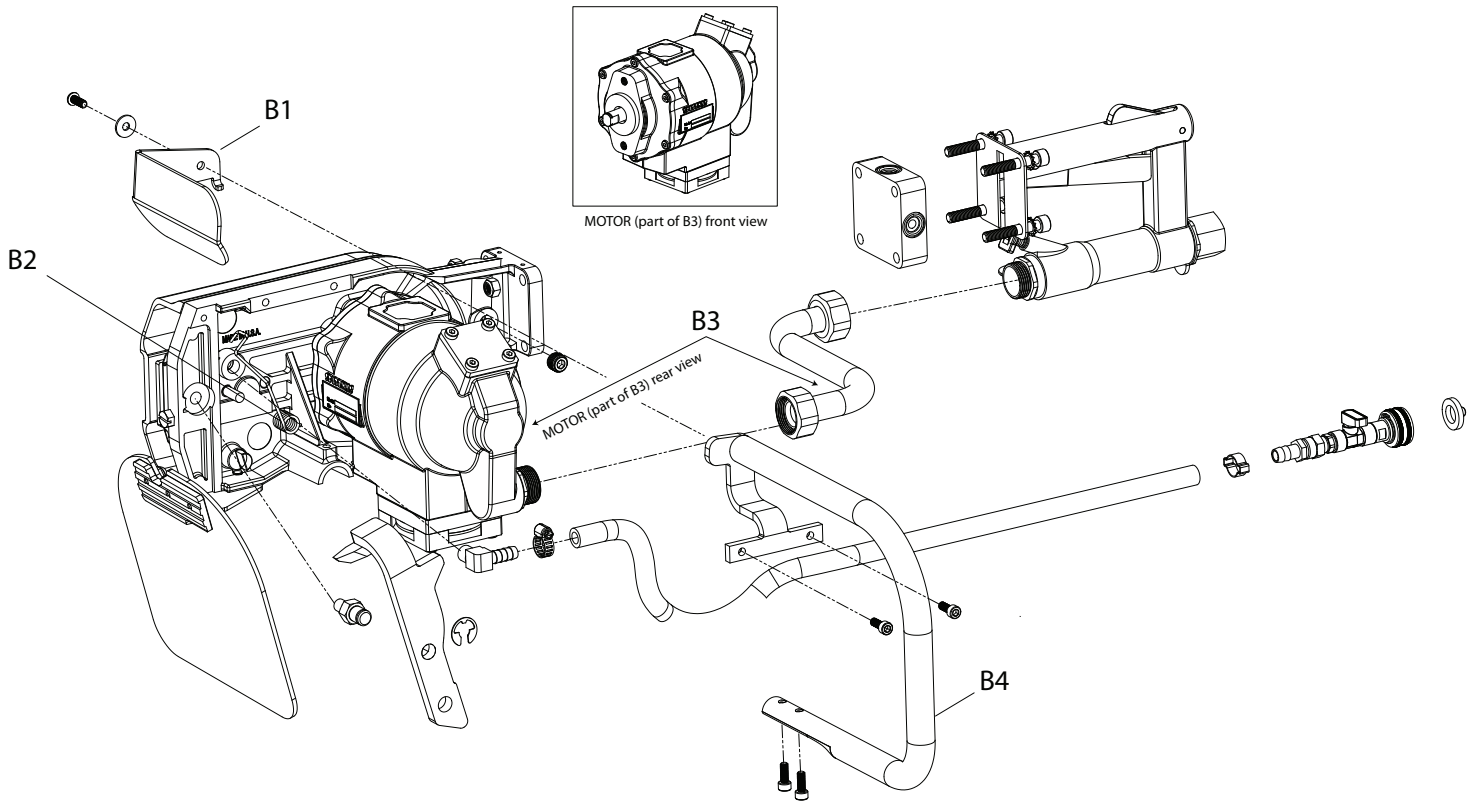
AIR POWERED CONCRETE CUTTING CHAINSAW



Model # 701-A REPLACEMENT PARTS PRICE LIST



Key #	Part No.	Description	MSRP
A1	576557	Rear Handle Screw	\$8.35
A2	576467	Rear Handle Kit	\$2,387.00
A3	70636	Tensioner Kit	\$67.30
A4	576336	Mud Flap Assembly	\$116.00
A5	72349	Bar Mounting Studs	\$66.30
A6	576573	Bolt, Motor Mount	\$13.65
A7	528563	External Shaft Seal Kit	\$62.95
A8	512592	Baffle Drain Replacement Kit	\$95.35
A9	70628	Bar Retainer Plate	\$35.90
A10	70627	Bar Mount Cover Plate	\$25.05
A11	549796	Snap Ring	\$5.60
A12	565065	Drive Sprocket (includes snap ring)	\$245.00
A13	70639	Retaining Nut Kit (set of 2)	\$58.80
A14	528564	Side Cover Replacement Kit	\$212.00
A15	540291	Side Cover Gasket	\$18.50



Key #	Part No.	Description	MSRP
B1	576326	Front Handle Guard	CALL
B2	70640	Torsion Spring, WallWalker®	\$22.95
B3	576468	Motor & Connection Tube kit (fitting included)	\$1,384.00
B4	576325	Front Handle Assembly	CALL

NOT SHOWN

Part No.	Description	MSRP
70619	Tensioning Scrench	\$14.25
575014	701-A Tune-up Kit ¹	\$346.00
575110	PROLUBE, ATL/AF 4 gal case	\$439.00
575096	Rotor with drive shaft	\$1,045.00
575097	Vane, 701-A motor	\$48.50
575098	End Plate, 701-A Motor Rear	\$309.00
575099	End Plate, 701-A Motor Front	\$244.00
575130	OILER, w/hose whip, 3/4 X 6 ft	\$401.00
576728	Coupler, 3/4 Universal Air Intake Saw End	\$24.75

¹Tune-up kit includes: Grooved ball bearing (2), Vane (7), O ring (4), gasket (1), pressure spring (2)

This page intentionally left blank

701A SERIES REPLACEMENT PARTS LIST

**ICS, Blount Inc.
4909 SE International Way
Portland, OR 97222
Tel 800.321.1240
icsdiamondtools.com**