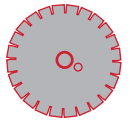


M 250 - 23HP - G
250 SERIES



14" - 24"
10" Max Cut



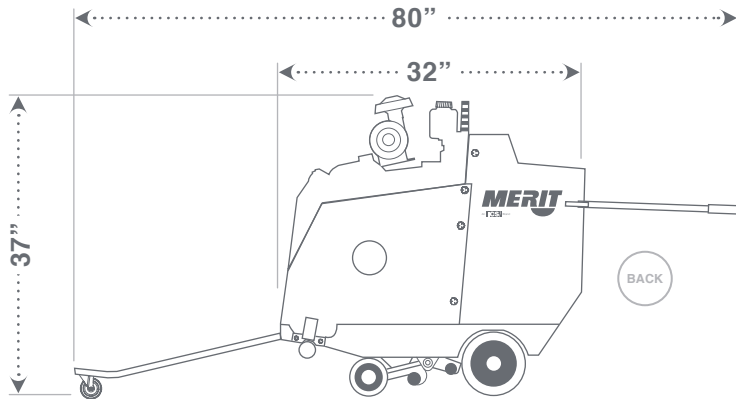
GAS



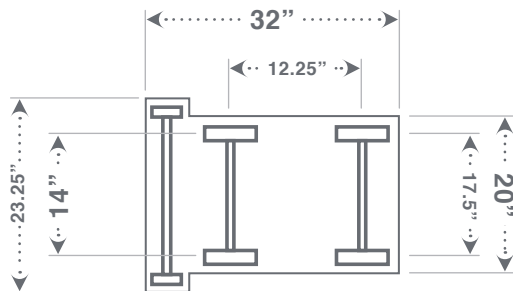
AIR COOLED



SELF PROPELLED



LEFT SIDE VIEW



BOTTOM VIEW

FEATURES

Merit's 250 series floor saws are self-propelled and lightweight for easy handling, and compact in size for confined spaces. The 250 series is available in four engine options—10HP electric, 21.5HP liquid propane, 23HP gas, and 30HP hydraulic. As with all Merit saws, 250 series frames are fully-welded with high-grade steel for added durability.

SPECIFICATIONS

Raise & Lower Control	Manual
Air Filter	Engine supplied
Blade Mounting	Left and right
Blade Shaft Drive	1" with 4" arbors
Approx. Weight	480 lbs.
Drive Speed	0-200 FPM
Depth Control	Manual
Spindle Size	1.25" with tapered roller bearings
Arbor Size	1"
Engine Manufacturer	Kohler
Fuel Capacity	3.5 gallons

OPTIONAL ACCESSORIES

- Blade guards 14" - 24"
- LED night light (MER-21900)
- Water pump (MER-21155)

MODEL CONFIGURATION

FRAME SERIES	HORSE POWER	FUEL TYPE	PIVOT STYLE/ BLADE SHAFT CONFIG.	CONTROL STYLE	BLADE MOUNTING CONFIG.
M250	- 23HP	- G	- F1	- M	- S