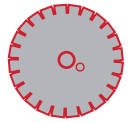
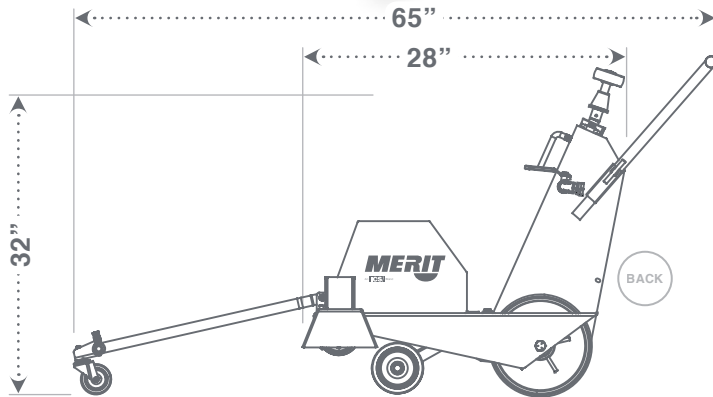


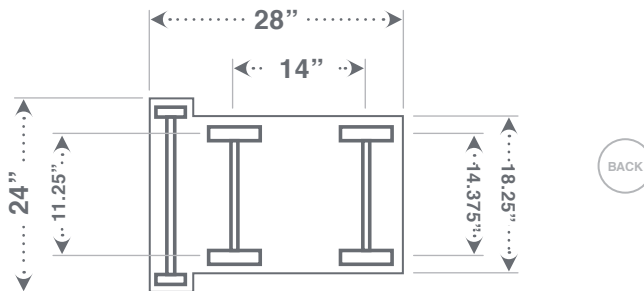
M100W-10HP-E
100 SERIES



14" - 24"
10" Max Cut



LEFT SIDE VIEW



BOTTOM VIEW

FEATURES

Merit's 100W series floor saws are designed to be lightweight and compact for small to mid-size jobs and are available in three electric options (5HP, 7.5HP, and 10HP) and one gas option (23HP) to best fit your site requirements. As with all Merit saws, 100W series frames are fully-welded with high-grade steel for added durability. Note: the 100W series is slightly wider than the 100 series to accommodate power options.

SPECIFICATIONS

Raise & Lower Control	Manual
Air Filter	N/A
Blade Mounting	Left and right
Blade Shaft Drive	1" with 4" arbors
Approx. Weight	336 lbs.
Drive Speed	Push
Depth Control	Manual
Spindle Size	1.25" with tapered roller bearings
Arbor Size	1"
Engine Manufacturer	Baldor
Voltage Options	220V 3-phase or 480V 3-phase

OPTIONAL ACCESSORIES

Blade guards 14" - 24"

MODEL CONFIGURATIONS

FRAME SERIES	HORSE POWER	FUEL TYPE	PIVOT STYLE/ BLADE SHAFT CONFIG.	CONTROL STYLE	BLADE MOUNTING CONFIG.
M100W	- 5HP	- E	- 01	- M	- S
M100W	- 7.5HP	- E	- 01	- M	- S
M100W	- 10HP	- E	- 01	- M	- S