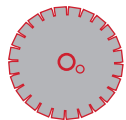
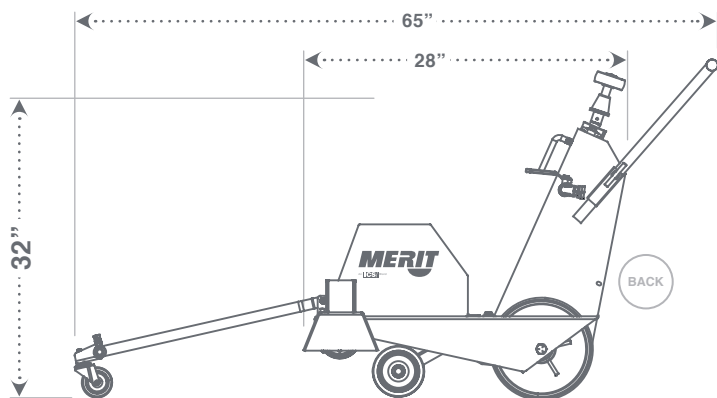


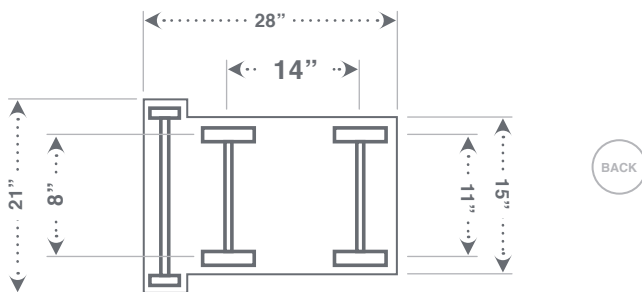
M 100 - 30HP - H
100 SERIES



14" - 24"
10" Max Cut



LEFT SIDE VIEW



BOTTOM VIEW

FEATURES

Merit's 100 series floor saws are designed to be lightweight and compact for small to mid-size jobs and are available in two engine options—14HP gas and 30HP hydraulic—to best fit your site requirements. As with all Merit saws, 100 series frames are fully-welded with high-grade steel for added durability.

SPECIFICATIONS

Raise & Lower Control	Manual
Air Filter	N/A
Blade Mounting	Left and right
Blade Shaft Drive	1" with 4" arbors
Approx. Weight	200 lbs.
Drive Speed	Push
Depth Control	Manual
Spindle Size	1.25" with tapered roller bearings
Arbor Size	1"
Engine Manufacturer	Cross

OPTIONAL ACCESSORIES

Blade guards 14" - 24"

MODEL CONFIGURATION

FRAME SERIES	HORSE POWER	FUEL TYPE	PIVOT STYLE/ BLADE SHAFT CONFIG.	CONTROL STYLE	BLADE MOUNTING CONFIG.
M100	- 30HP	- H	- 01	- M	- S