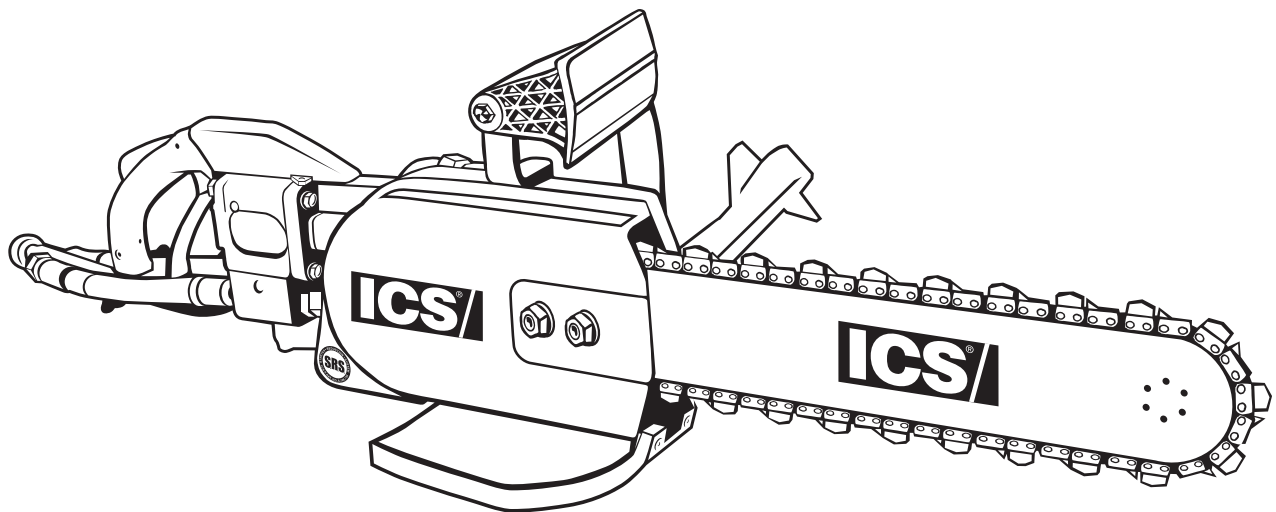




Replacement Parts & Accessories Price List



853PRO Series Hydraulic Concrete Saw

Effective January 1, 2018

TABLE OF CONTENTS

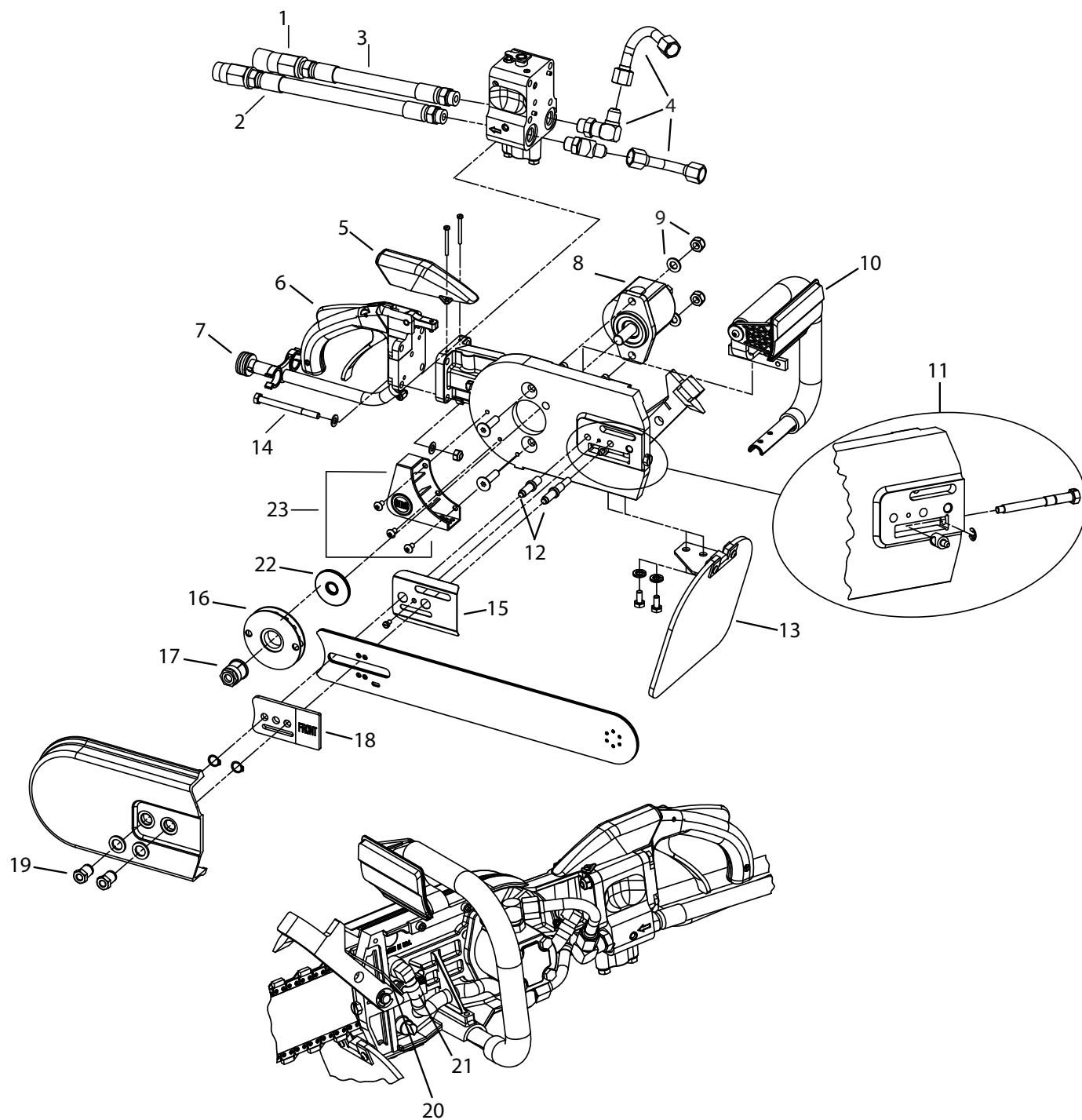
853PRO Series Hydraulic Concrete Saw

ITEM DESCRIPTION	KEY	PAGE
853PRO Hydraulic Service Parts & Kits		iii
853PRO Hydraulic Saw Assembly	A	1-2

SERVICE PARTS & KITS

853PRO Series Hydraulic Concrete Saw

Part No.	Description	MSRP
70619	Tensioning Screws, Hydraulic Saws	\$13.30
70621	853PRO Motor Seal Kit - This motor is no longer supported and will need to be upgraded, please call ICS Customer Service at 800.321.1240 for details.	CALL
71526	853PRO Hydraulic Valve Spool Kit	\$88.75
72296	823H, 853PRO Hydraulic Valve Seal Kit	\$28.60
72347	823H, 853PRO Trigger Lock-Out Spring & Pin Kit	\$24.50
506026	Trigger & Lock-Out Kit, 853PRO Series	\$39.80
507407	Front Handle Fastener Kit, 853PRO Series	\$13.30
72378	Water Gauge Plug	\$4.10
518869	Water Valve Kit, includes clip, plunger, spring, ball & water bridge spindle	\$107.10
540291	Side Cover Gasket	\$17.35
540290	Hydraulic End Cap Set	\$17.35



Key #	Part No.	Description	MSRP
1	71916	853PRO QD, Female, with O-Ring, Kit	\$83.65
2	71917	QD Male with O-Ring	\$50.00
3	70629	853PRO Hydraulic Pigtail Kit	\$156.10
4	70632	853PRO Hydraulic Plumbing Replacement Kit	\$71.40
5	70630	853PRO Trigger Cover Kit with Level	CALL
6	CALL	853PRO Rear-Handle Replacement Kit	CALL
7	72345	823H, 853PRO Series Water Hose Kit	\$59.20
8	CALL	853PRO Plus Hydraulic Motor Replacement Kit	CALL
9	72342	823H, 853PRO Motor Bolt Kit	\$23.50
10	CALL	823H, 853PRO 8gpm (30 lpm) Front Handle Assembly	CALL
10	CALL	853PRO Plus 12gpm (45 lpm) Front Handle Assembly	CALL
11	70636	853PRO Tensioner Kit	\$63.25
12	72349	823H, 853PRO Series Bar Mounting Studs	\$62.25
13	72408	853PRO Series Guard Flap Assembly	\$62.25
14	72344	823H, 853PRO Series Valve Bolt Kit	\$25.50
15	70627	853PRO Bar Mount Cover Plate	\$23.50
16	72289	823H, 853PRO Sprocket Assy 14T (Impact Absorbing Model)	CALL
16	71105	823H, 853PRO Sprocket Assy 14T (Standard Model)	CALL
17	70618	853PRO Trantorque® Shaft Adaptor 9/16 in (14 mm)	\$115.30
18	70628	853PRO Bar Retaining Plate	\$33.70
19	70639	853PRO Cover Retaining Nuts (set of 2)	\$55.10
20	70641	853PRO WallWalker Replacement Kit	\$234.60
21	70640	853PRO WallWalker Spring	\$21.45
22	70992	853PRO Series External Shaft Seal Kit	\$63.25
23	512592	Baffle Drain Replacement Kit	\$75.50

853PRO Series Replacement Parts & Accessories Price List

**ICS, Blount Inc.
4909 SE International Way
Portland, OR 97222
Tel 800.321.1240
icsdiamondtools.com**