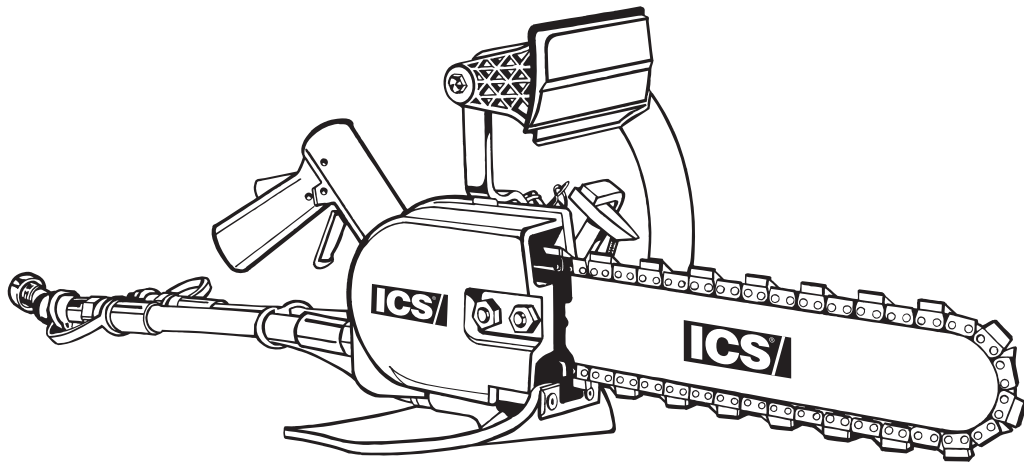




# Replacement Parts & Accessories Price List



## 814PRO Hydraulic Concrete Saw

Effective January 1, 2019

# TABLE OF CONTENTS

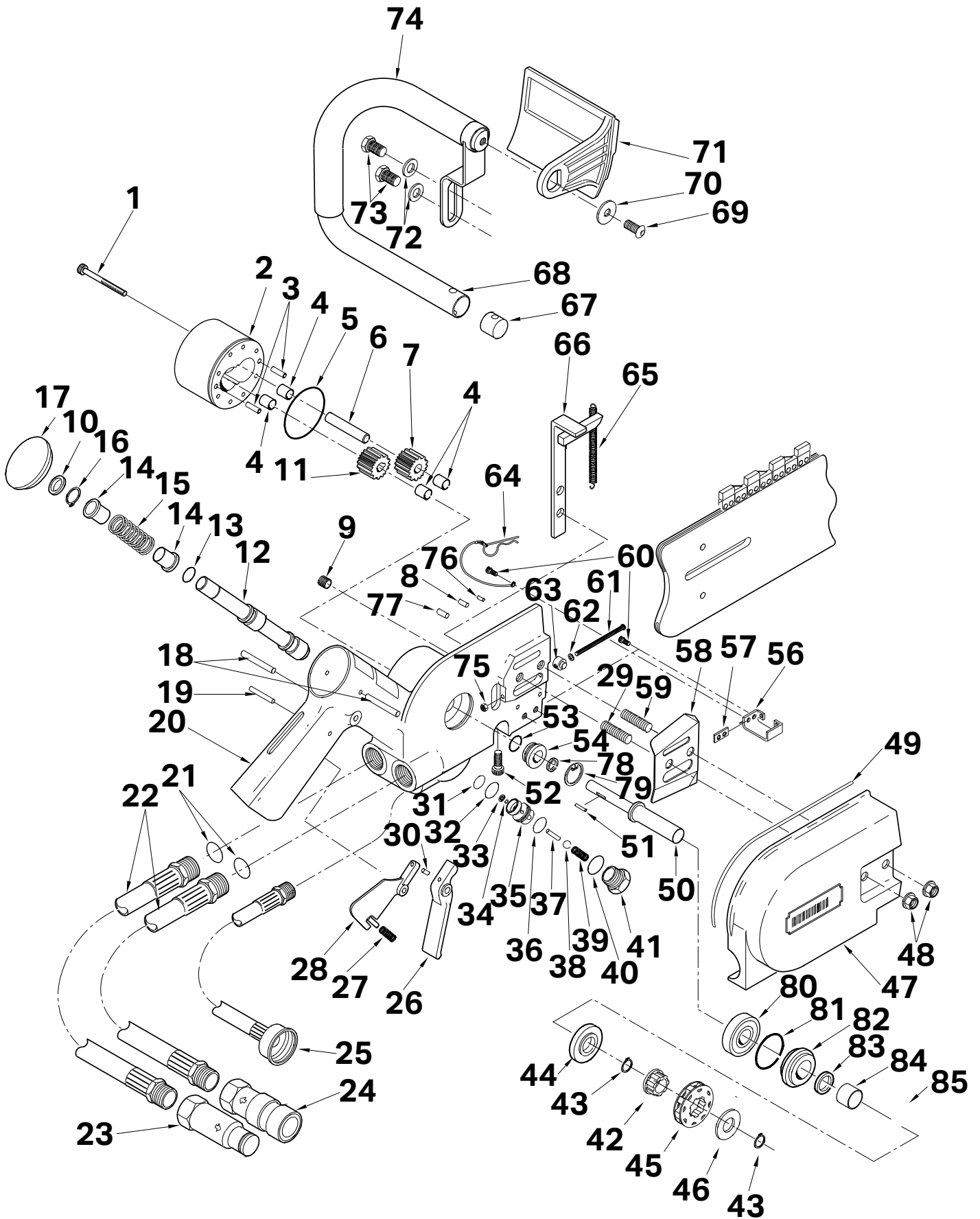
## 814PRO Hydraulic Concrete Saw

ITEM DESCRIPTION	KEY	PAGE
814PRO Hydraulic Saw Service Parts & Kits	n/a	1
814PRO Hydraulic Saw Assembly (Parts 1-46)	A	2-3
814PRO Hydraulic Saw Assembly (Parts 47-85)	A	4-5

# SERVICE PARTS & KITS

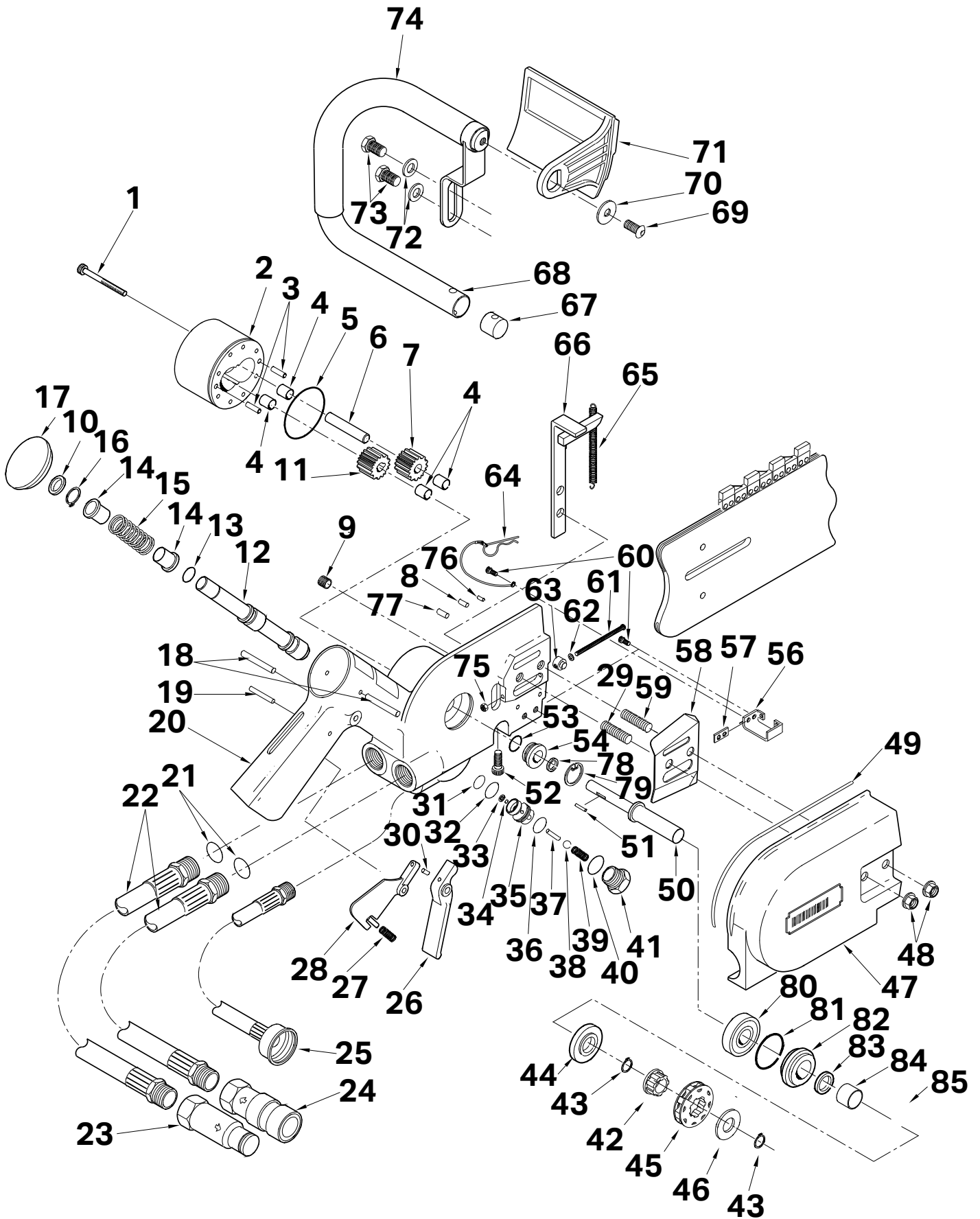
## 814PRO Hydraulic Concrete Saw

<b>Part No.</b>	<b>Description</b>	<b>MSRP</b>
71152	Tensioning Srench, Hydraulic Saws	\$18.25
71944	Water Valve Seal Kit, includes: 34, 35, 37, 39, & 43	\$53.75
71945	Motor Shaft Seal Kit, includes 5,53,78,79,81,83	\$142.00
74061	Chain Tensioning Assembly, includes 61,62,63,75	\$112.50
75260	814PRO Rim Sprocket Upgrade Kit	\$760.50
74042	Guidebar - 13 in (33cm)	\$205.00
74719	TwinPRO-25 - 13 in (33cm)	\$680.00
74510	Bar nose repair kit	\$39.50



## 814PRO • KEY A PARTS (1 - 46)

Key #	Part No.	Description	MSRP
1	74514	HSH Cap Screw 10-24 x 1 1/4	\$6.50
2	74515	Rear Gear Housing Assembly	\$305.25
3	74516	Dowl Pin	\$5.50
4	74517	Bushing (4)	\$45.00
5	74518	O-Ring	\$13.00
6	74519	Idler Shaft	\$59.00
7	74520	Idler Gear	\$201.50
8	74021	WallWalker Pivot Pin	\$34.50
9	74597	1/8 NPT Plug	\$15.25
10	74596	Wiper Seal	\$46.25
11	74522	Drive Gear, with Keyway	\$233.75
12	74523	On-Off Valve	\$155.50
13	74524	Hydraulic Valve Seal	\$13.00
14	74525	Spring Washer	\$35.50
15	74526	Spring	\$31.25
16	74527	Retaining Ring, 1/2 External	\$9.75
17	74528	Plug Button	\$13.00
18	74529	Roll Pin	\$5.50
19	74530	Roll Pin	\$5.50
20	74531	Valve Handle Assembly includes 74540 & 74569	\$1,456.75
21	74532	O-Ring	\$4.50
22	74533	Pigtail Hose Assembly	\$60.25
23	74534	1/2 in (1.3 cm) Flush Face Coupler (M)	\$58.00
24	74535	1/2 in (1.3 cm) Flush Face Coupler (F)	\$114.75
25	74536	Water Hose Assembly	\$127.50
26	74537	Trigger	\$62.25
27	74538	Spring	\$5.50
28	74539	Safety Catch, Trigger Lock-Out	\$58.00
29	74540	Rear Stud	\$84.75
30	74542	Roll Pin	\$3.50
31	74543	O-Ring	\$9.70
32	74544	O-Ring	\$10.75
33	74545	Self Locking Retaining Ring	\$12.00
34	74546	O-Ring	\$5.50
35	74547	Water Valve Sleeve	\$183.25
36	74548	O-Ring	\$10.75
37	74549	Pin	\$68.75
38	74550	Steel Ball	\$7.75
39	74551	Spring	\$9.75
40	74552	O-Ring	\$12.00
41	74553	Seal Cap	\$90.00
42	71386	Splined Sprocket Adaptor	\$94.75
43	71384	External Shaft Retaining Ring	\$9.50
44	74497	Seal Spacer	\$55.25
45	71385	Rim Sprocket	\$37.00
46	71388	Tabbed Washer	\$14.75



Key #	Part No.	Description	MSRP
47	71940	Side Cover Replacement Kit	\$373.00
48	74558	Flange Nut, M10	\$7.00
49	74559	Sprocket Side Cover Seal	\$30.50
50	71383	814PRO Motor Shaft Replacement	\$205.00
51	74561	Needle Roller	\$20.50
52	74562	HSH Cap Screw 5/15-18 x 3/4	\$9.00
53	74563	Shaft Seal	\$11.00
54	74564	Seal Back Up Washer	\$50.50
55	74591	Guard Flap Assembly (Not Shown)	\$55.75
56	74566	Guard Flap Mount	\$127.50
57	74567	Spacer	\$45.00
58	74568	Bar Mount Cover Plate	\$41.00
59	74569	Front Stud	\$90.00
60	74570	HSH Cap Screw 1/4-20 x 5/8	\$12.00
61	74571	Machine Screw	\$13.00
62	74572	Stat-O-Seal	\$17.50
63	74573	Bar Adjustment Nut	\$60.50
64	74019	Lanyard Assembly	\$30.50
65	74582	WallWalker Spring	\$17.25
66	74583	WallWalker Arm, with Spring	\$99.75
67	74574	Handle Bar Retainer	\$32.50
68	74575	Handle Bar	\$368.50
69	74584	Guard Mounting Bolt	\$13.00
70	74585	Guard Mounting Washer	\$13.00
71	74586	Front Handguard	\$39.75
72	74576	Washer	\$2.25
73	74577	HH Cap Screw 5/16-18 x 5/8, Zinc	\$3.50
74	74588	Handlebar Grip	\$21.50
75	74579	Nut 1/4-20 HHD LT SST	\$12.00
76	74580	Spiral Pin	\$5.50
77	74581	Spiral Pin	\$10.75
78	74493	Quad-Ring	\$10.75
79	74565	Retaining Ring	\$13.00
80	74554	Shaft Bearing Race	\$139.00
81	74498	O-Ring	\$10.75
82	74495	Seal Washer	\$53.25
83	74494	V-Ring	\$28.00
84	74496	Seal Ring	\$32.25
85	74555	Retaining Ring	\$17.50

**814PRO Replacement Parts & Accessories Price List**

**ICS, Blount Inc.  
4909 SE International Way  
Portland, OR 97222  
Tel 800.321.1240  
icsdiamondtools.com**