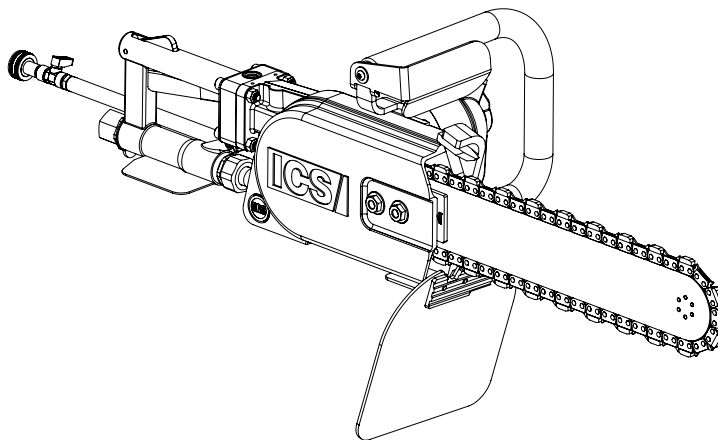


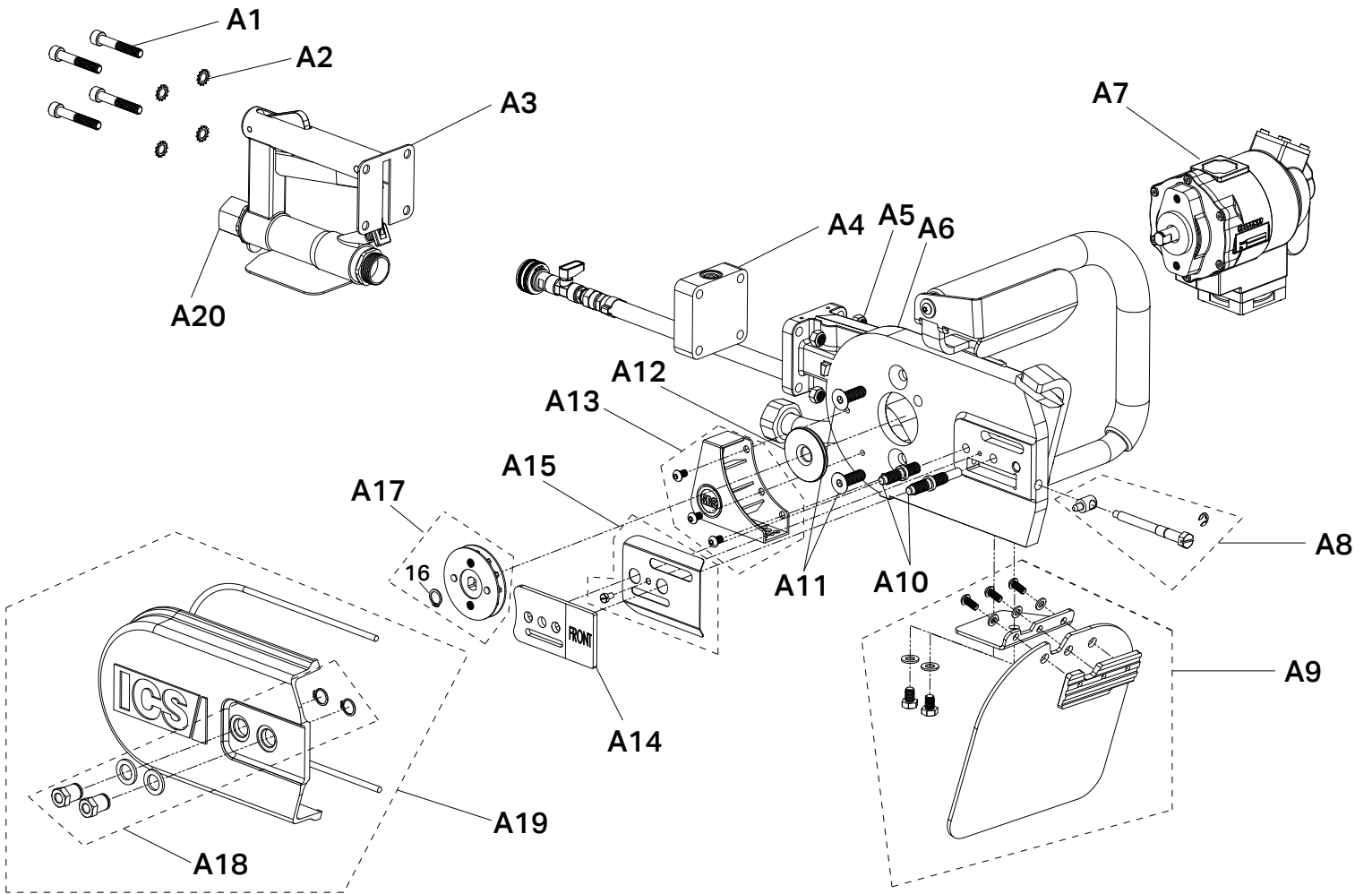


**Diamond Tools and Equipment
for Construction and Infrastructure**

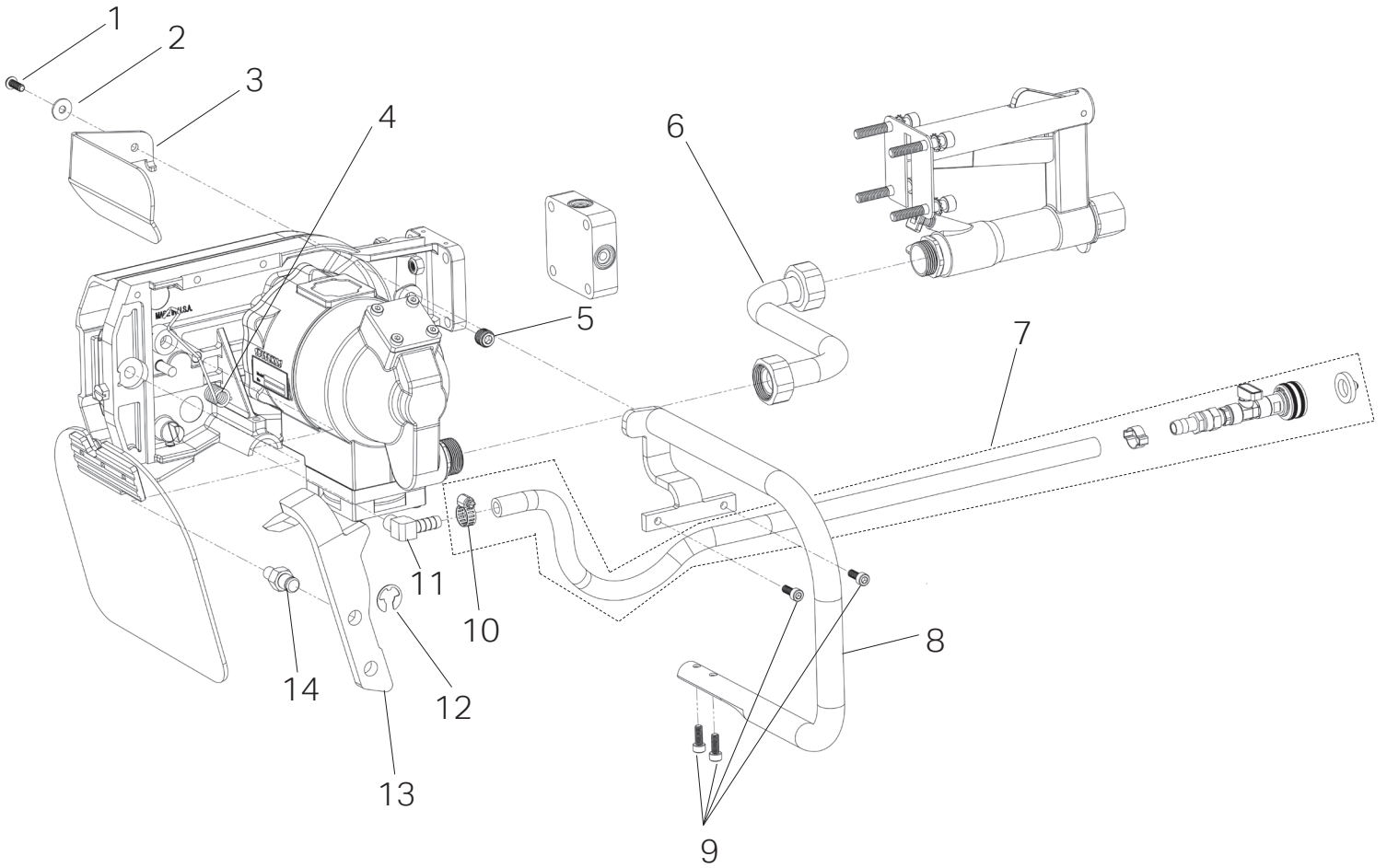
AIR POWERED CONCRETE CUTTING CHAINSAW



Model # 701-A REPLACEMENT PARTS PRICE LIST



Key #	Part No.	Description	MSRP
A1	576557	Rear Handle Screw	\$8.00
A2	576558	Rear Handle Washer	\$3.50
A3	576467	Rear Handle	\$2,316.50
A4	576559	Level Block	\$704.50
A5	70135	Rear Handle Nylock Nut	CALL
A6	574206	Mainframe	\$0.00
A7	576468	Motor	\$4,248.50
A8	70636	Tensioner Kit	\$65.25
A9	576336	Mud Flap Assembly	\$112.00
A10	72349	Bar Mounting Studs	\$64.25
A11	576573	Bolt, Motor Mount	\$13.00
A12	528563	External Shaft Seal Kit	CALL
A13	512592	Baffle Drain Replacement Kit	\$92.50
A14	70628	Bar Retainer Plate	\$24.25
A15	70627	Bar Mount Cover Plate	\$34.75
A16	549796	Snap Ring	\$5.30
A17	565065	Drive Sprocket (includes snap ring)	\$236.90
A18	70639	Retaining Nut Kit (set of 2)	\$57.00
A19	528564	Side Cover Replacement Kit	\$204.90
A20	576613	NPT Fitting 3/4 x 14"	\$89.00



Key #	Part No.	Description	MSRP
B1	71005	Screw M6 x 16 BSHCS Plated	\$2.05
B2	71004	Washer M6 Plated	\$1.05
B3	576326	Front Handle Guard	\$50.00
B4	70640	Torsion Spring, WallWalker®	\$22.25
B5	504766	1/4" NPT Hex Plug, S.S.	\$16.35
B6	576466	Connection Tube (fitting included)	\$1,691.50
B7	576527	Water Shut-Off Sub Assy, 2 ft.	\$92.50
B8	576325	Front Handle Assembly	\$207.75
B9	71097	Screw M6 x 16 SHCS plated	\$1.05
B10	71133	Screw Hose Clamp	\$5.10
B11	71065	90 degree water fitting	\$11.25
B12	71896	WallWalker® Stud C-Clip	\$1.05
B13	70873	Lever Arm	\$116.30
B14	70874	Pro Pivot Stud	\$21.45

NOT SHOWN

Part No.	Description	MSRP
70619	Tensioning Scrench	\$13.75
540291	Side Cover Gasket	\$17.90
530046	701A Series FORCE4™ Bar Nose Sprocket Repair Kit	\$39.50
575014	701-A Tune-up Kit ¹	\$335.50
575015	701-A Repair Kit - includes tune up kit ²	\$2,968.00
575013	Airpac, pneumatic saw oiler	\$1,287.50
575107	PROLUBE - Atl 1 gal. bottle	\$85.50
575108	PROLUBE - Atl 4 gal case	\$331.00
575109	PROLUBE ATL/AF 1 gal. bottle	\$141.50
575110	PROLUBE, ATL/AF 4 gal case	\$425.50
575105	PROLUBE-ATL/AF 1 quart bottle	\$47.50
575111	PROLUBE, ATL/AF 12 quarts	\$556.00
575096	Rotor with drive shaft	\$1,014.00
575097	Vane, 701-A motor	\$47.00
575098	End Plate, 701-A Motor Rear	\$299.00
575099	End Plate, 701-A Motor Front	\$236.50
575130	OILER, w/hose whip, 3/4 X 6 ft	\$389.00
576349	Grooved Ball Bearing 701-A Motor	\$64.50
576350	Grooved Ball Bearing 701-A Motor	\$67.00
576355	Ball	\$34.00
576567	Trigger Lock Out Bolt	\$352.00
576566	Valve Lifter	\$38.50
576565	Roll Pin, Trigger Rear	\$11.00
576564	Roll Pin, Trigger Rear	\$11.00
576354	Belleville Spring, 701-A Motor	\$69.00
576353	Spring, 701-A Valve	\$9.50
576562	Lock Out Spring	\$47.00
576561	Spring 701-A Plunger	\$89.00
567560	O-ring 701-A Valve	\$2,055.00
576357	O-ring 701-A Motor	\$3.50
576352	Sealing Ring, 701-A Valve	\$19.50
576728	Coupler, 3/4 Universal Air Intake Saw End	\$24.00
576739	Coupler, 3/4 Universal Hose Barb End	\$23.00

¹Tune-up kit includes: Grooved ball bearing (2), Vane (5), O ring (3), gasket (1), pressure spring (2)

² Repair-up kit includes: Cylinder bushing, end plate (2), spacer ring (2), bras (2), rotor (1), tuning-up kit

This page intentionally left blank

701A SERIES REPLACEMENT PARTS LIST

**ICS, Blount Inc.
4909 SE International Way
Portland, OR 97222
Tel 800.321.1240
icsdiamondtools.com**