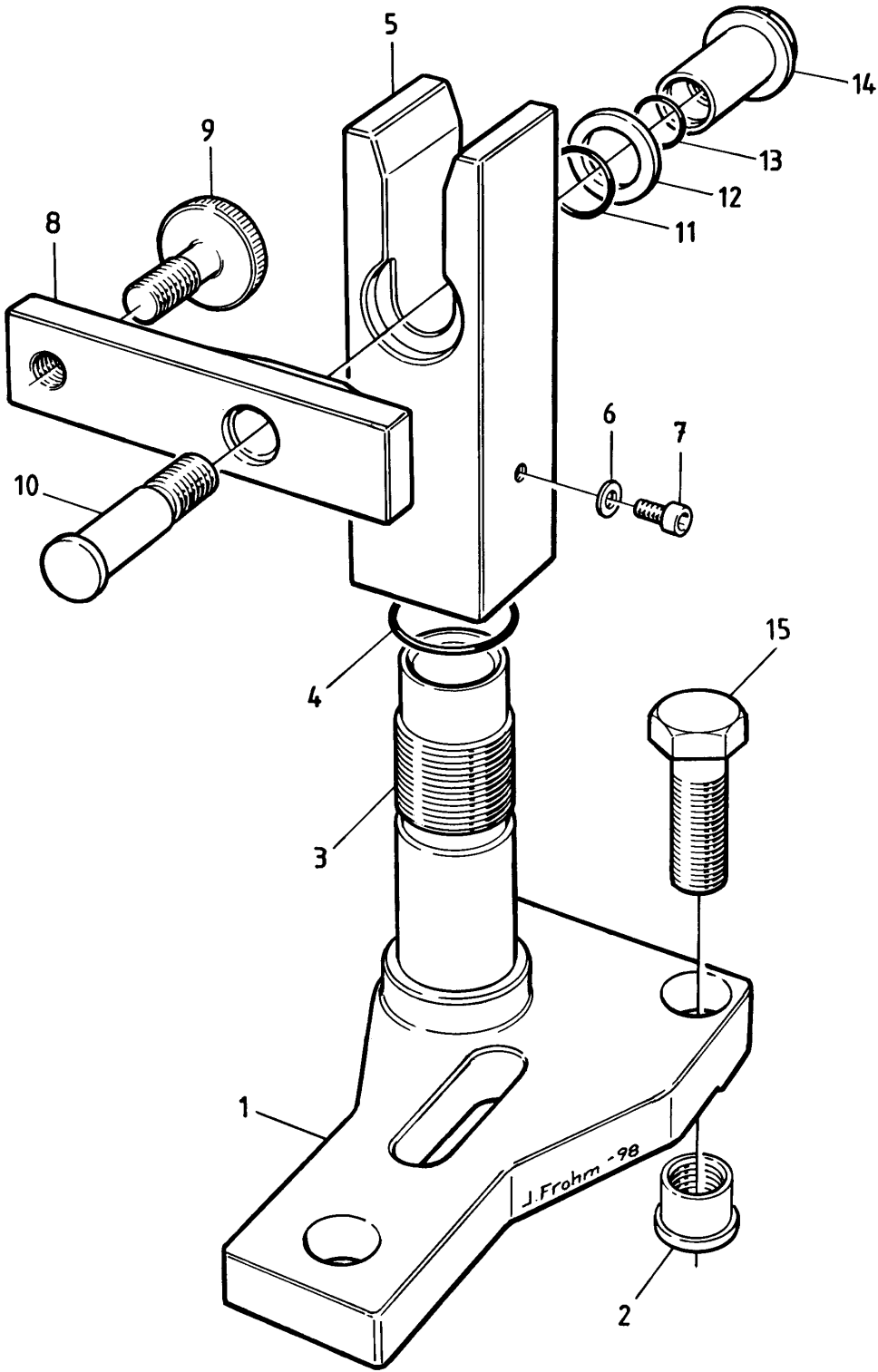
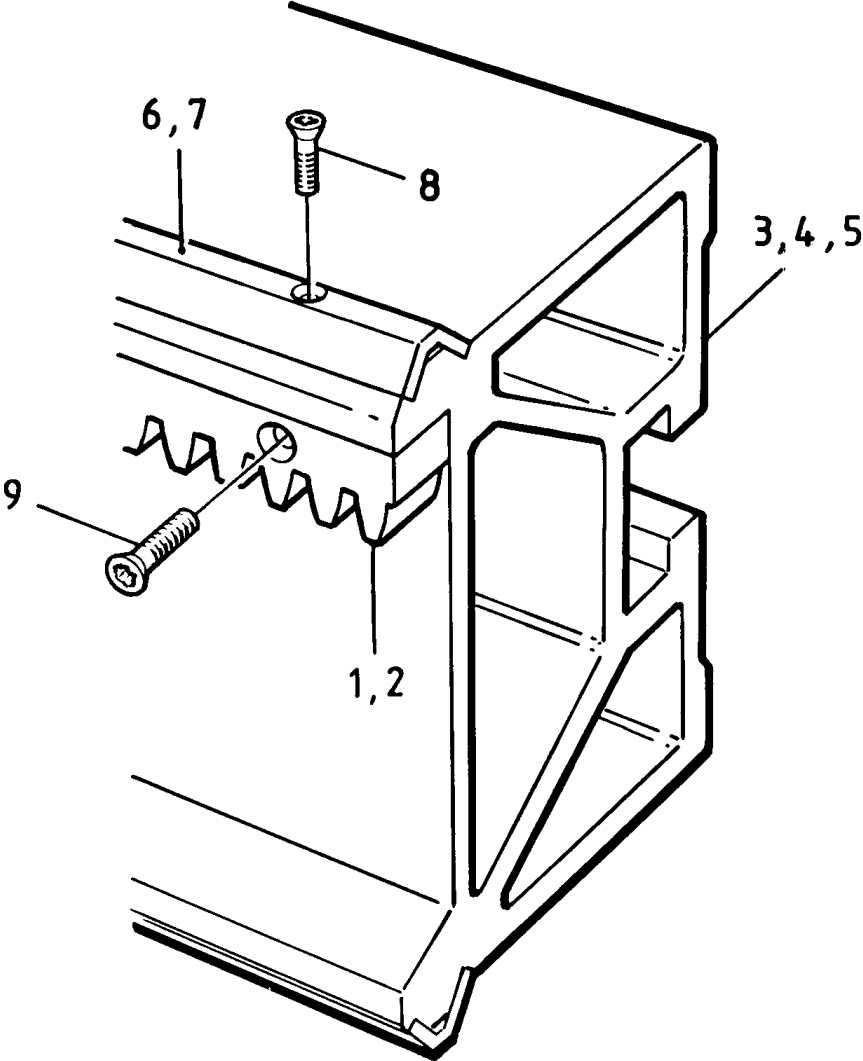


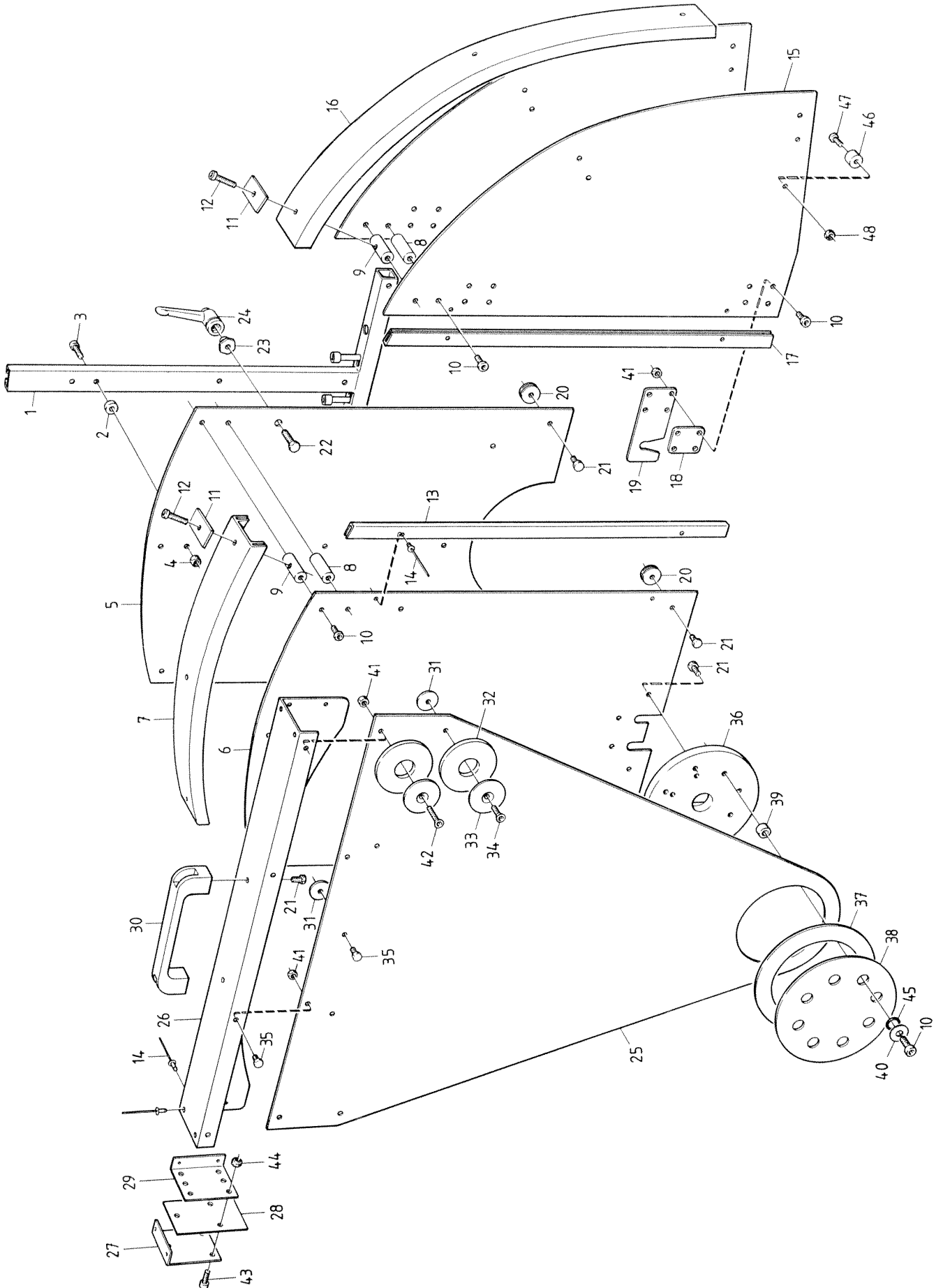
<u>Page Ref.</u>	<u>Part No.</u>	<u>Name</u>	<u>Type/Typ</u>
RC-F01	64190300	Box remote control Telemec.	
RC-F02	98800000	Symbol plate	
RC-F03	64680801	Push button	
RC-F04	64420201	Potentiometer cpl w/ contact	
RC-F05	64401101	Knob potentiometer	
RC-F06	64400401	Switch travel cpl	
RC-F07	64400301	Switch feed-plunge cpl	
RC-F08	64680801	Push Button Telemecanique cpl	
RC-F09	64230101	Emergency stop button cpl	
RC-F10	64013401	Cable 10 m	
RC-F11	64681400	Gland in housing remote control	
RC-F12	64680600	Housing on cable (remote control)	
RC-F13	64680500	Terminal block on remote control	



<u>Page Ref.</u>	<u>Part No.</u>	<u>Name</u>	<u>Type/Typ</u>
RF1-01	43100800	Foot	
RF1-02	15060200	Nut insert	M12
RF1-03	50050200	Thread tube ver. 2	
RF1-04	23125042	O-ring	42 x 2.5 NBR 70
RF1-05	43100500	Fork	
RF1-06	16400500	Washer	M5
RF1-07	121005008-8.8FZ	Screw	M5 x 8 8.8 Fzb
RF1-08	43100300	T-slot profile	
RF1-09	14040110	Knurled screw	
RF1-10	14020200	Screw T-slot profile	
RF1-11	23115015	O-ring	15 x 1.5 NBR 90
RF1-12	16240100	Washer sleeve nut	
RF1-13	23120014	O-ring	14 x 2
RF1-14	15100100	Sleeve nut	
RF1-15	121112040-8.8FZ	Screw	M12 x 40 8.8 Fzb



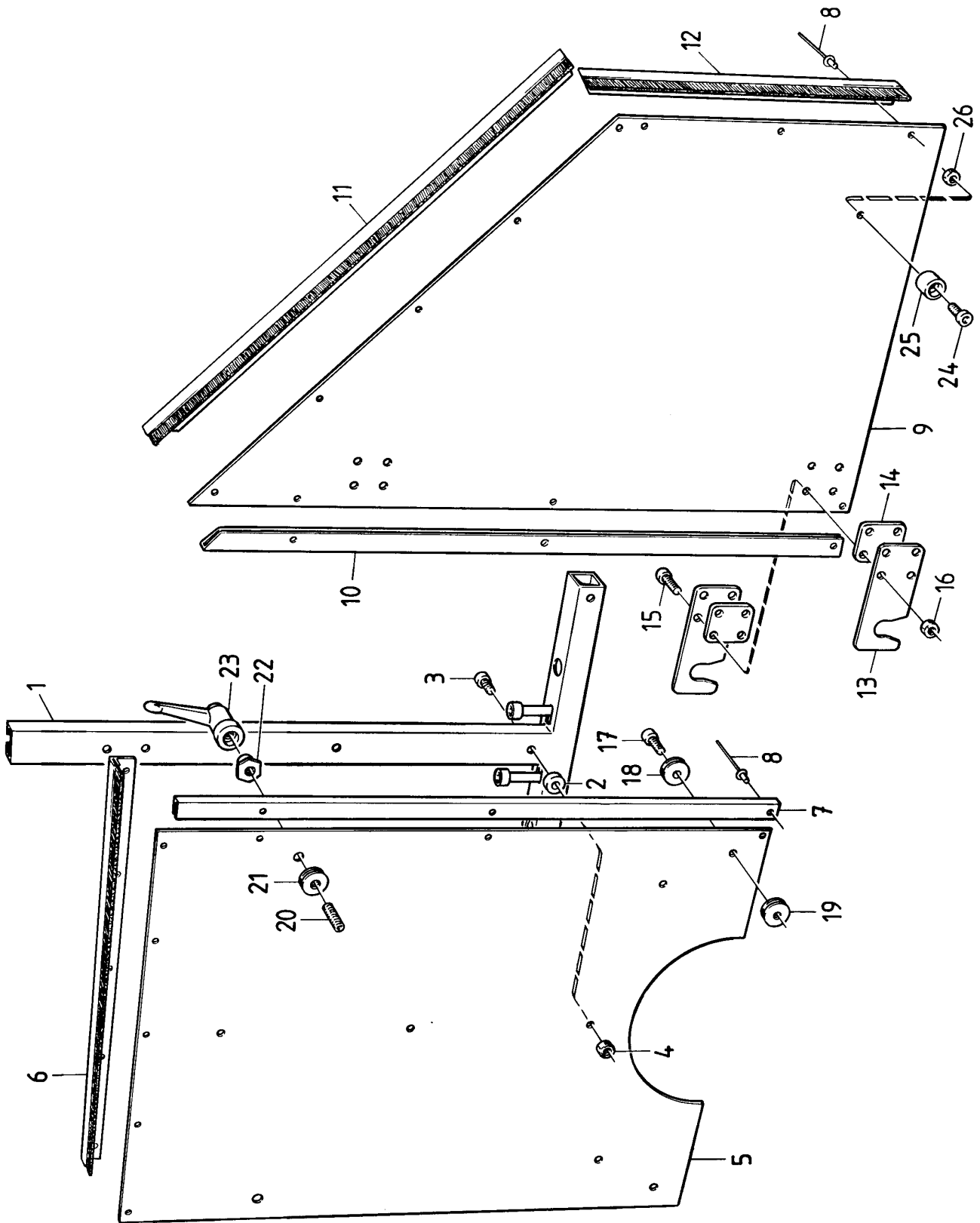
<u>Page Ref.</u>	<u>Part No.</u>	<u>Name</u>	<u>Type/Typ</u>
R1-01	48010100	Rack	L = 0.85 m ( 33.5" )
R1-02	48010200	Rack	L = 1.15 m ( 45" )
R1-03	49030201	Track	L = 1.15 m ( 45" )
R1-04	49030301	Track	L = 2.0 m ( 79" )
R1-05	49030401	Track	L = 2.3 m ( 90.5" )
R1-06	49040100	Liner	L = 0.85 m ( 33.5" )
R1-07	49040200	Liner	L = 1.15 m ( 45" )
R1-08	121403010	C/S Torx screw	M3 x 10
R1-09	121404016	C/S Torx screw	M4 x 16



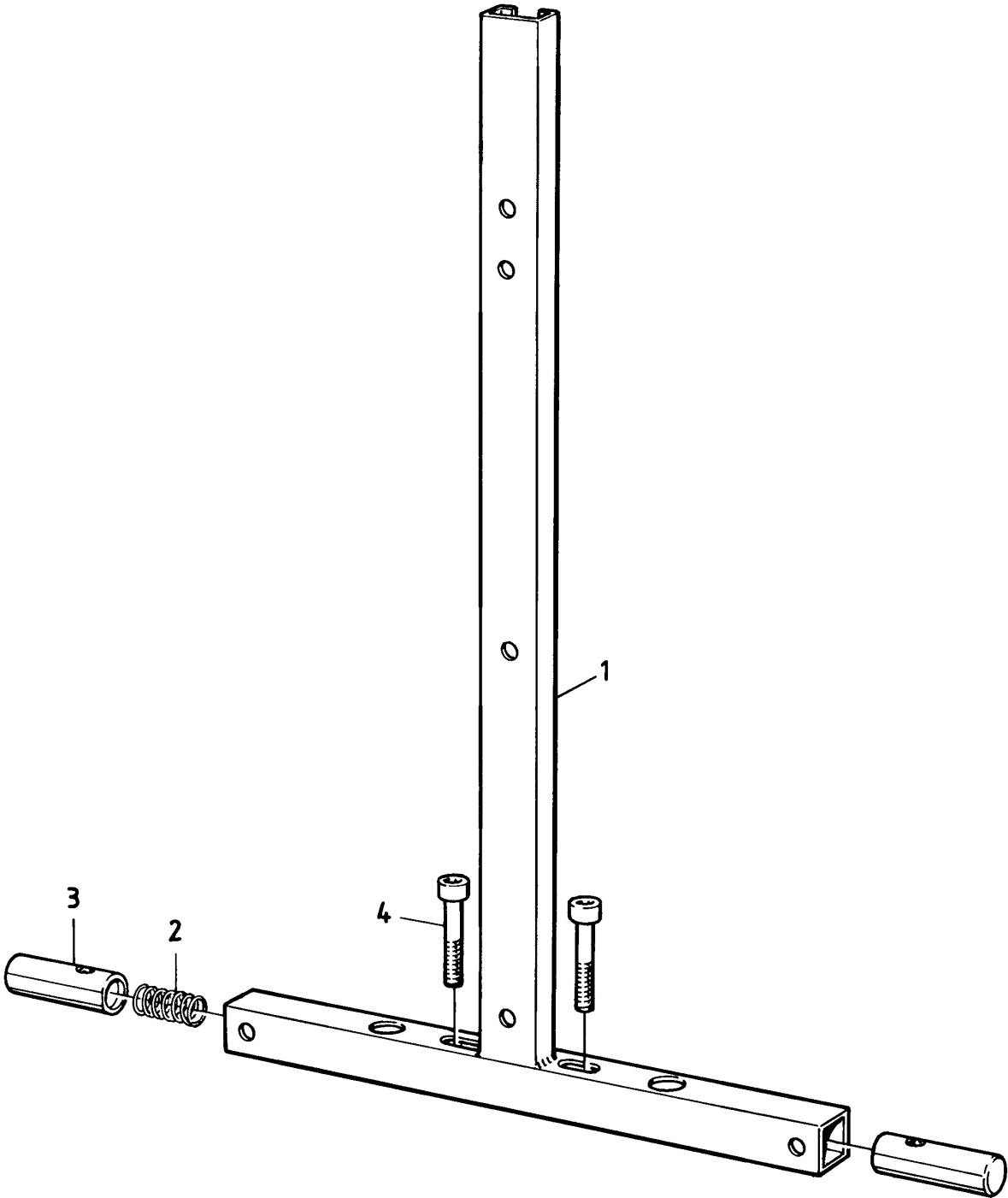
<u>Page Ref.</u>	<u>Part No.</u>	<u>Name</u>	<u>Type/Typ</u>
KS1-01	43150100	C-profile frame	
KS1-02	23160300	Spacer	L = 6.5
KS1-03	121006016-8.8FZ	Screw	DIN 912 M6 x 16 8.8 Fzb
KS1-04	12070206	Nut	M6
KS1-05	46100100	Sideplate middle inner	800 mm
KS1-05	46100300	Sideplate middle inner	1000 mm
KS1-05	46100500	Sideplate middle inner	1200 mm
KS1-05	46100700	Sideplate middle inner	1600 mm
KS1-05	46120100	Sideplate middle inner	32"
KS1-05	46120300	Sideplate middle inner	40"
KS1-05	46120500	Sideplate middle inner	48"
KS1-05	46120700	Sideplate middle inner	63"
KS1-06	46100200	Sideplate middle outer	800 mm
KS1-06	46100400	Sideplate middle outer	1000 mm
KS1-06	46100600	Sideplate middle outer	1200 mm
KS1-06	46100800	Sideplate middle outer	1600 mm
KS1-06	46120200	Sideplate middle outer	32"
KS1-06	46120400	Sideplate middle outer	40"
KS1-06	46120600	Sideplate middle outer	48"
KS1-06	46120800	Sideplate middle outer	63"
KS1-07	49210100	Cover profile, meter lengths	
KS1-08	23160100	Spacer	
KS1-09	23160200	Spacer w. M6 cross hole	
KS1-10	121206012-8.8	Screw	DIN 7984 M6 x 12 8.8 Fzb
KS1-11	46130200	Washer cover profile bladeguard	
KS1-12	121206030-8.8FZ	Screw	DIN 7984 M6 x 30 8.8 Fzb
KS1-13	49210200	Side profile concave metre	
KS1-14	17932097	Pop-rivet	3.2 x 9.7 Alu.
KS1-15	46101100	Sideplate detachable	800 mm
KS1-15	46101300	Sideplate detachable	1000 mm
KS1-15	46101500	Sideplate detachable	1200 mm
KS1-15	46101700	Sideplate detachable	1600 mm
KS1-15	46121100	Sideplate detachable	32"
KS1-15	46121300	Sideplate detachable	40"
KS1-15	46121500	Sideplate detachable	48"
KS1-15	46121700	Sideplate detachable	63"
KS1-16	49210100	Cover profile blade guard (per m)	
KS1-17	49210300	Side profile convex (per m)	
KS1-18	46130100	Spacer washer	32 x 40



<u>Page Ref.</u>	<u>Part No.</u>	<u>Name</u>	<u>Type/Typ</u>
KS1-19	43230100	Latch Blade-guard	
KS1-20	16320100	Groove bushing	M6
KS1-21	121106010-8.8FZ	Hex screw	M6S M6 x 10 Fzb
KS1-22	121108020-8.8FZ	Hex screw	M6S M8 x 20 Fzb
KS1-23	16320300	Nut	M8 special
KS1-24	53050800	Adjustable lever Blade-g.	M8
KS1-25	46110100	Splash guard triangular	800 mm
KS1-25	46110300	Splash guard triangular	1000 mm
KS1-25	46110500	Splash guard triangular	1200 mm
KS1-25	46110700	Splash guard triangular	1600 mm
KS1-25	46140100	Splash guard triangular	32"
KS1-25	46140300	Splash guard triangular	40"
KS1-25	46140500	Splash guard triangular	48"
KS1-25	46140700	Splash guard triangular	63"
KS1-26	46110200	Spray shield peripheral	800 mm
KS1-26	46110400	Spray shield peripheral	1000 mm
KS1-26	46110600	Spray shield peripheral	1200 mm
KS1-26	46110800	Spray shield peripheral	1600 mm
KS1-26	46140200	Spray shield peripheral	32"
KS1-26	46140400	Spray shield peripheral	40"
KS1-26	46140600	Spray shield peripheral	48"
KS1-26	46140800	Spray shield peripheral	63"
KS1-27	46112300	Plate outer splash guard	1000 & 1200 & 40" & 48"
KS1-27	46112400	Plate outer splash guard	800 & 1600 & 32" & 63"
KS1-28	46112700	Rubber flap splash guard	800 mm & 32"
KS1-28	46113200	Rubber flap splash guard	1000 mm
KS1-28	46113000	Rubber flap splash guard	1200 mm
KS1-28	46113100	Rubber flap splash guard	1600 mm & 63"
KS1-28	46112800	Rubber flap splash guard	40"
KS1-28	46112900	Rubber flap splash guard	48"
KS1-29	46112100	Plate inner splash guard	800 & 1600 & 32" & 63"
KS1-29	46112200	Plate inner splash guard	1000 & 1200 & 40" & 48"
KS1-30	53060600	Handle on splash-guard	
KS1-31	16320400	Washer conical on splash-guard	
KS1-32	16260100	Nylon wheel	
KS1-33	16320500	Support washer nylon wheel	
KS1-34	123006016-10.9FZ	C/S allen screw	DIN 7991 M6 x 16 10.9 Fzb
KS1-35	121106012-8.8FZ	Hex screw	M6 x 12 Fzb
KS1-36	42020400	Flange Blade-guard	
KS1-37	16010300	Axial washer	
KS1-38	42020200	Cover	
KS1-39	16320800	Spacer blade-guard	
KS1-40	16400900	Washer	6.4 x 20 x 1.25
KS1-41	12070106	Nut	M6 Nyloc
KS1-42	123006020-10.9FZ	C/S allen screw	DIN 7991 M6 x 20 10.9 Fzb
KS1-43	121005012-8.8FZ	Allen screw	DIN912 M5 x 12 8.8Fzb
KS1-44	12070105	Nut	M5 Nyloc
KS1-45	23125010	O-ring	10 x 2.5 NBR 70
KS1-46	33080100	Bushing, support in blade guard	
KS1-47	121206016-8.8FZ	Allen screw	DIN 7984 M6x16 8.8 Fzb
KS1-48	12070106	Nut	M6 Nyloc



<u>Page Ref.</u>	<u>Part No.</u>	<u>Name</u>	
KS2-01	43150101	C-profile frame cpl.	
KS2-02	23160300	Spacer	L = 6.5 mm
KS2-03	121006016-8.8FZ	Allen screw	DIN912 M6x16 8.8 Fzb
KS2-04	12070206	Nut	M6
KS2-05	46102900	Sideplate middle flush	800 mm
KS2-05	46103000	Sideplate middle flush	1000 mm
KS2-05	46103100	Sideplate middle flush	1200 mm
KS2-05	46103200	Sideplate middle flush	1600 mm
KS2-05	46122900	Sideplate middle flush	32"
KS2-05	46123000	Sideplate middle flush	40"
KS2-05	46123100	Sideplate middle flush	48"
KS2-05	46123200	Sideplate middle flush	63"
KS2-06	49230100	Brush /metre	
KS2-06	49220100	Holder profile brush /metre	
KS2-07	49210200	Side profile concave /metre	
KS2-08	17932097	Pop-rivet	3.2 x 9.7 Alu.
KS2-09	46102100	Sideplate flush detachable	800 mm
KS2-09	46102200	Sideplate flush detachable	1000 mm
KS2-09	46102300	Sideplate flush detachable	1200 mm
KS2-09	46102400	Sideplate flush detachable	1600 mm
KS2-09	46122100	Sideplate flush detachable	32"
KS2-09	46122200	Sideplate flush detachable	40"
KS2-09	46122300	Sideplate flush detachable	48"
KS2-09	46122400	Sideplate flush detachable	63"
KS2-10	49210300	Side profile convex metre	
KS2-11	49230100	Brush (per metre)	
KS2-11	49220100	Holder profile brush (per metre)	
KS2-12	49230100	Brush (per metre)	
KS2-12	49220100	Holder profile brush (per metre)	
KS2-13	43230100	Latch Blade-guard	
KS2-14	46130100	Spacer washer	32 x 40
KS2-15	121006016-8.8FZ	Allen screw	DIN 912 M6 x 16 8.8 Fzb
KS2-16	12070206	Nut	M6
KS2-17	121006016-8.8FZ	Allen screw	DIN 912 M6 x 16 8.8 Fzb
KS2-18	16320100	Bushing	M6
KS2-19	16320100	Bushing	M6
KS2-20	122908025	Screw	DIN 916 M8 x 25
KS2-21	16320200	Bushing	M8
KS2-22	16320300	Nut	
KS2-23	53050800	Adjustable lever Blade-guard	
KS2-24	121206016-8.8FZ	Allen screw	DIN 7984 M6 x 16 8.8 Fzb
KS2-25	33080100	Support bushings plastic	
KS2-26	12070106	Nut	M6 Nyloc



---

<u>Page Ref.</u>	<u>Part No.</u>	<u>Name</u>	<u>Type/Typ</u>
KS3-01	43150100	T-holder blade guard	
KS3-02	32121035	Spring	
KS3-03	47010100	Plunger bladeguard	
KS3-04	121006050-SPEC	Screw	M6 x 50 shortened to 31.5 mm

## Spare parts list Parts not shown on spare parts drawings

<u>Page Ref.</u>	<u>Part No.</u>	<u>Name</u>	<u>Type/Typ</u>
	42040101	Flush cutting flange B.C. 130 mm	6 x M8
	42040201	Flush cutting flange B.C. 108 mm	6 x M10
	42040301	Flush cutting flange B.C. 110 mm	6 x M10
	42040401	Flush cutting flange B.C. 1-3/8"	6 x M10 (USA only)
	23120008	O-ring Blade flange	8 x 2 NBR 70
	123008025-10.9F	Screw Countersunk Flush flange	DIN 7991 M8 x 25 10.9 Fzb
	123010025-10.9F	Screw Countersunk Flush flange	DIN 7991 M10 x 25 10.9 Fzb
	12070108	Nut Locking	M8
	12070110	Nut Locking	M10
	52020101	Hose pack 6-16 (5 hoses)	5 x 3/8" x 8 m
	52020201	Hose pack 6-16 (5 hoses)	5 x 3/8" x 10 m
	52020301	Hose pack 6-10 (5 hoses)	5 x 1/4" x 6 m
	52020401	Hose pack 6-10 (5 hoses)	5 x 1/4" x 10 m
	52050101	Pressure / Return Hose	1 x 3/4" x 8 m
	52050301	Pressure / Return Hose	1 x 3/4" x 10 m
	52050201	Pressure / Return Hose	1 x 5/8" x 6 m
	52050401	Pressure / Return Hose	1 x 5/8" x 10 m
	64190301	Remote Control Telemecanique cpl	
	64013201	Extension cable Remote Control	10 m
	60380101	Remote control unit, hydraulic	
	65340101	Toolkit Pentrunder 6-10 / 6-16 cpl	
	65300100	Ratchet	Kamasa 1/2"
	65331900	Socket	19 mm
	65350800	Allen socket 8 mm x 90	8 mm x 90
	65390800	T-key 8 mm x 100	8 mm x 100
	85040600	Sunoco Gearbox oil	Sunoco 75W140
	85040800	Mineral Hydaulic oil	Sunoco HV46
	55070101	Trackstop cpl.	
	43100901	Angle-adjustable Track Foot	