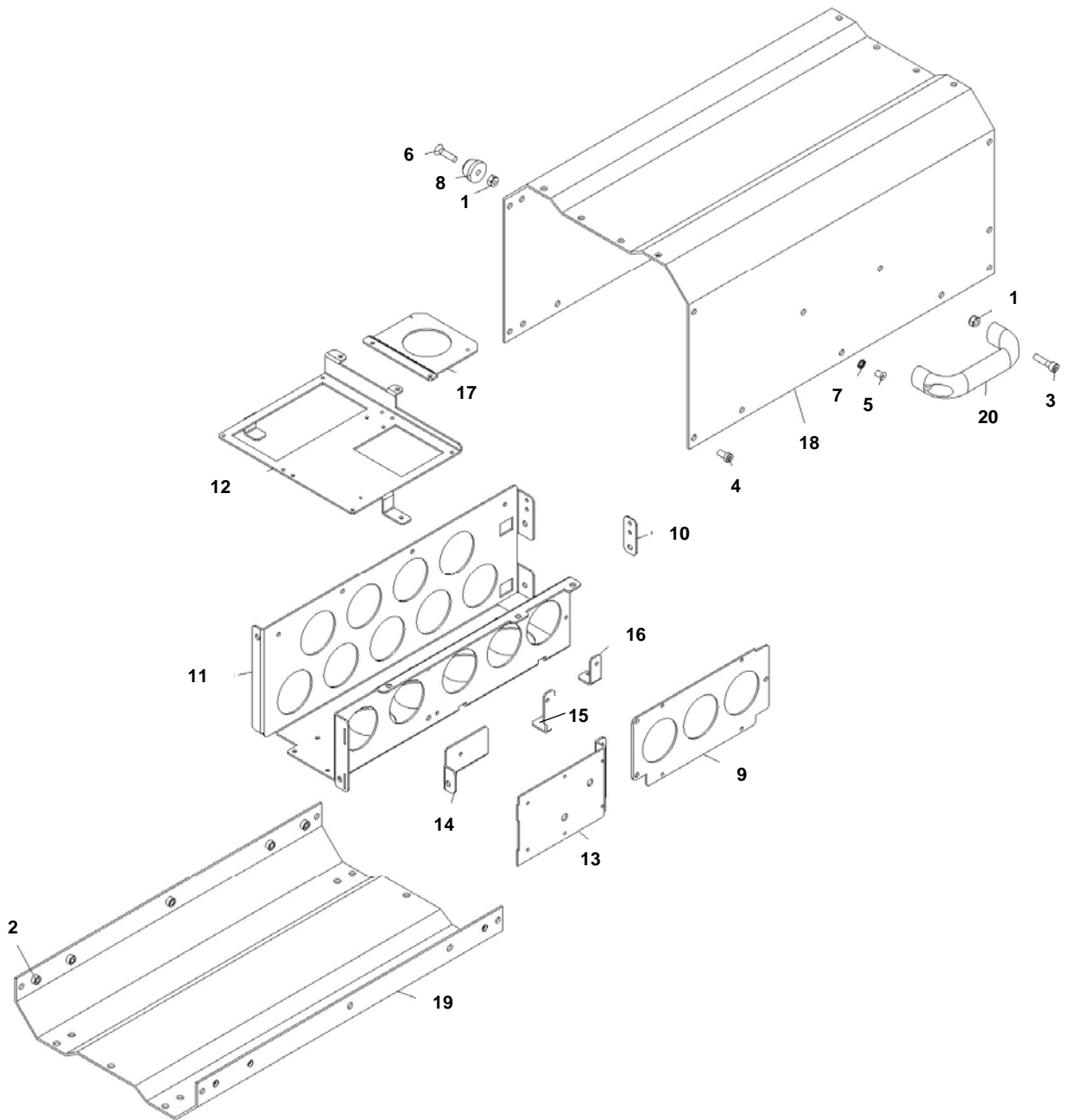


**Spare parts list Pentpak 418 / 422 / 427**

---



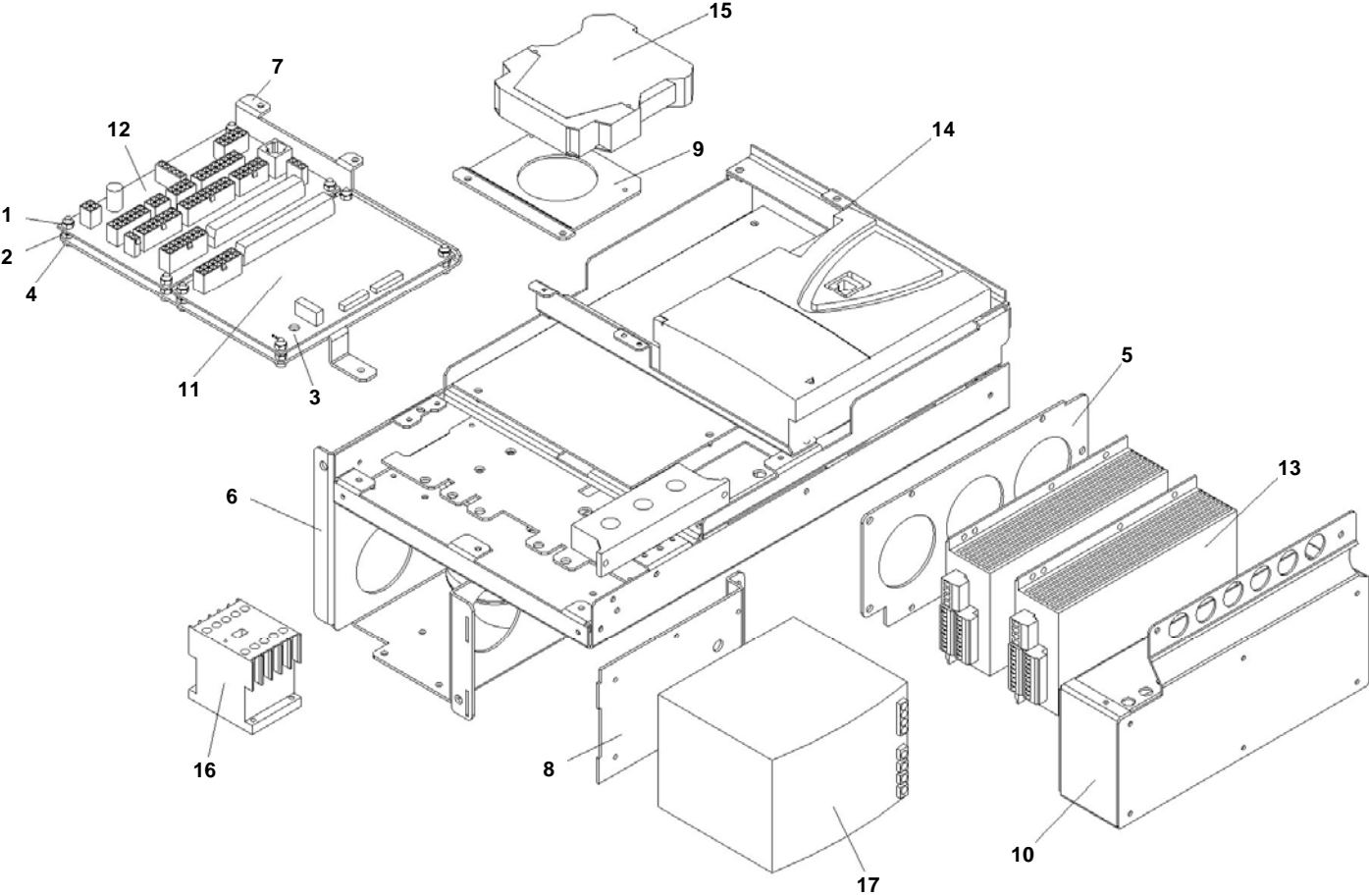
Sheet metal parts



## Sheet metal parts

Pos.	Qty	Part number	Description
418-422-A1	4	12070106	Locking nut M6
418-422-A2	8	12070606	Insert nut M6
418-422-A3	2	121006025-8.8FZ	Allen screw DIN912 M6x25 8.8Fz
418-422-A4	23	121206012-8.8FZ	Allen screw DIN7984 M6 x 12 8.8Fz
418-422-A5	2	121906008-10.9FZ	Allen screw extra low head M6 x 8 10.9Fz
418-422-A6	4	123006025-10.9FZ	Allen screw countersunk M6 x 25
418-422-A7	2	23206710	Dowty washer 6.7 x 10 x 1 M6
418-422-A8	4	25150100	Rubber fot Ø 22 height 19
418-422-A9	1	46353900	Bracket Servo PP422
418-422-A10	1	46354000	Bracket rubber mounting
418-422-A11	1	46356800	Chassi profile PP422
418-422-A12	1	46357100	PP422/418 Bracket ECU and Interface
418-422-A13	1	46357300	Bracket 10A power supply PP422
418-422-A14	1	46357400	Bracket fan
418-422-A15	1	46357600	Bracket left Current transformer
418-422-A16	1	46357500	Bracket right Current transformer
418-422-A17	1	46358000	Bracket Safety relay
418-422-A18	1	49500300	Casing profile front PP422
418-422-A19	1	49500400	Casing profile bottom PP422
418-422-A20	1	53011000	Handle black 116 mm

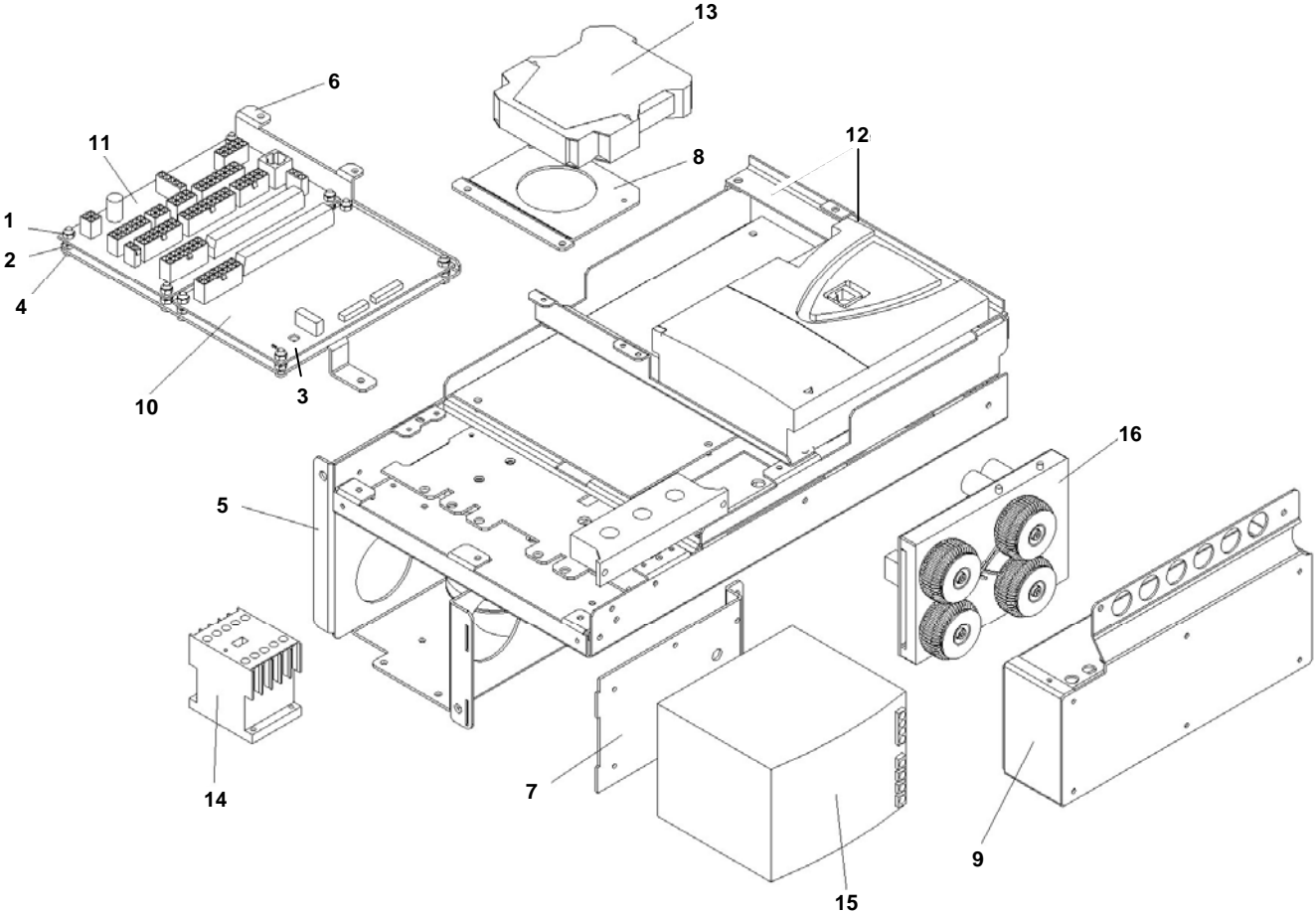
Internal parts



## Internal parts

Pos.	Qty	Part number	Description
418-422-B1	8	12070104	Nut M4 Locking
418-422-B2	16	12070204	Nut M4 normal height
418-422-B3	1	121003006-8.8Fz	Allen screw DIN912 M3 x 6 8.8Fz
418-422-B4	8	121004016-8.8Fz	Allen screw DIN912 M4 x 16 8.8Fz
418-422-B5	1	46353900	Bracket Servo PP422
418-422-B6	1	46356800	Chassi profile PP422
418-422-B7	1	46357100	PP422 Bracket ECU and Interface
418-422-B8	1	46357200	Bracket 20A Power supply PP422
418-422-B9	1	46358000	Bracket Safety relay
418-422-B10	1	46359001	EMC-filter PP422 cpl
418-422-B11	1	64031501	Control card PP422 / PP222
418-422-B11	1	64031701	Control card PP418
418-422-B12	1	64031601	Interface card PP422 / 418
418-422-B13	2	640321000	DC-Servo amplifier 10 A SCA-SS-70-10
418-422-B14	1	64033422	Frequency inverter ATV71
418-422-B15	1	64051000	Safety module
418-422-B15	1	64051000	Safety module with wires
418-422-B16	1	64163100	Contaktor LP4K09 BW3
418-422-B16	1	64163101	Contaktor LP4K09 BW3 with wires
418-422-B17	1	64345420	Power supply 360-500V/24V 20A

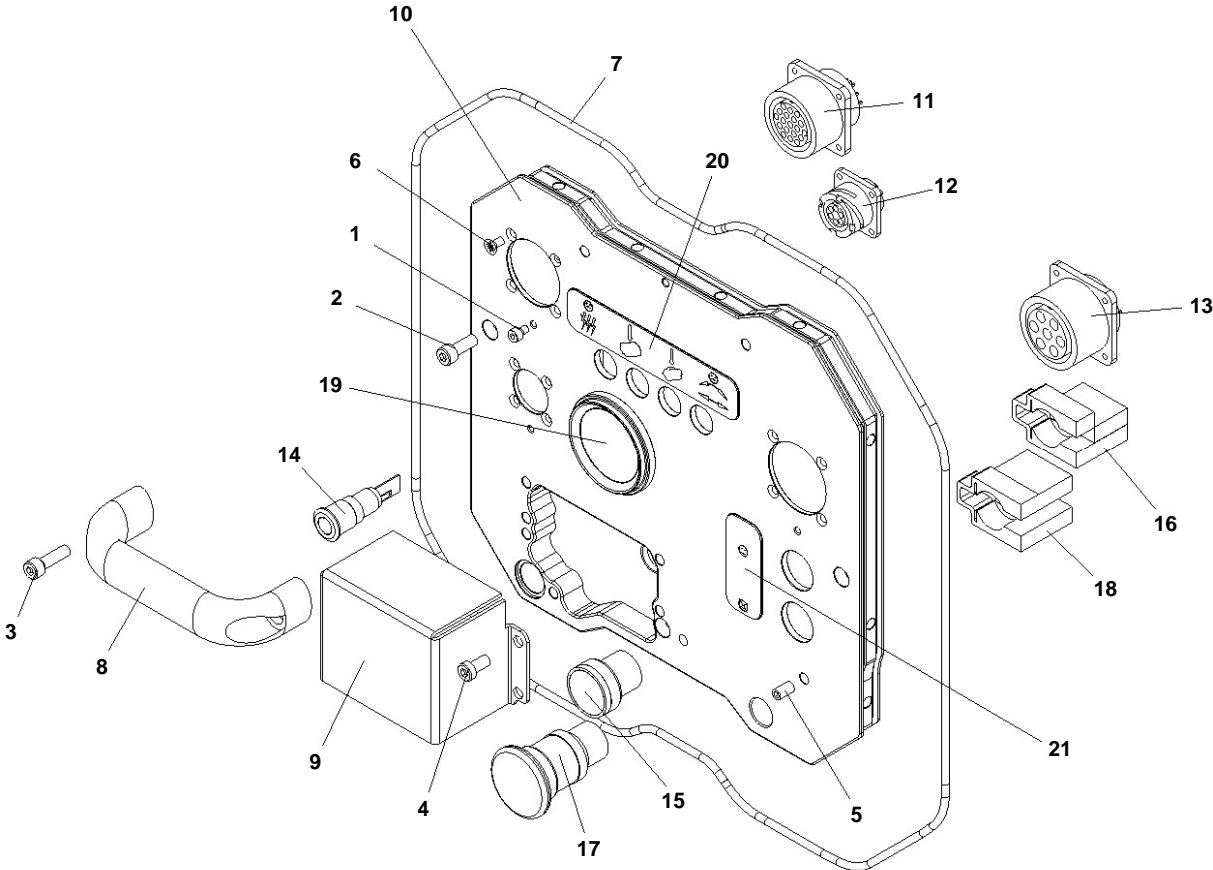
Internal parts with new Digital servo



## Internal parts with new Unjo servo

Pos.	Qty	Part number	Description
418-422-C1	8	12070104	Nut M4 Locking
418-422-C2	16	12070204	Nut M4 normal height
418-422-C3	1	121003006-8.8FZ	Allen screw DIN912 M3 x 6 8.8 Fz
418-422-C4	8	121004016-8.8FZ	Allen screw DIN912 M4 x 16 8.8 Fz
418-422-C5	1	46356800	Chassi profile PP422
418-422-C6	1	46357100	PP422 Bracket ECU and Interface
418-422-C7	1	46357200	Bracket 20A Power supply PP422
418-422-C8	1	46358000	Bracket Safety relay
418-422-C9	1	46359001	EMC-filter PP422 cpl
418-422-C10	1	64031501	Control card 22 kW
418-422-C10	1	64031701	Control card 18 kW
418-422-C10	1	64032001	Control card 27 kW
418-422-C11	1	64031601	Interface card PP422 / 418
418-422-C12	1	64033422	Frequency inverter ATV71
418-422-C13	1	64051000	Safety module
418-422-C13	1	64051001	Safety module PP418-427 with wires
418-422-C14	1	64163100	Contactork LP4K09 BW3
418-422-C14	1	64163101	Contactork LP4K09 01BW3 with wires
418-422-C15	1	64345420	Power supply 360-500V/24V 20A
418-422-C16	1	64888501	Digital servo cpl

Cover low voltage side

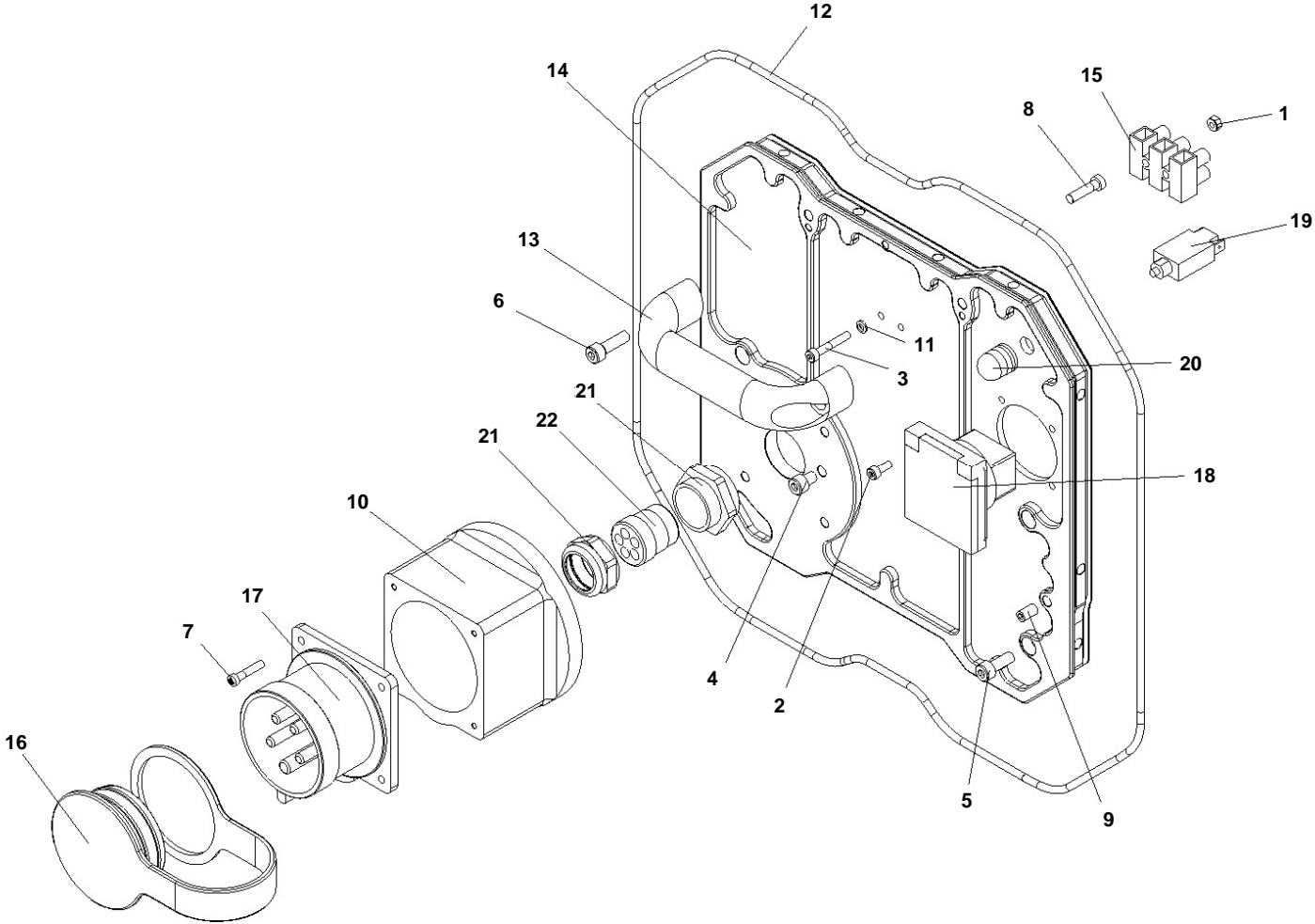




**Cover low voltage side**

<b>Pos.</b>	<b>Qty</b>	<b>Part number</b>	<b>Description</b>
418-422-D1	3	121004006-8.8FZ	Allen screw DIN912 M4 x 6 8.8 Fzb
418-422-D2	3	121006016-8.8FZ	Allen screw DIN912 M6 x 16 8.8 Fzb
418-422-D3	2	121006020-8.8FZ	Allen screw DIN912 M6 x 20 8.8 Fzb
418-422-D4	4	121206012-8.8FZ	Allen screw DIN7984 M6 x 12 8.8 Fzb
418-422-D5	2	122906010	Grub screw M6 x 10
418-422-D6	12	123104008	Pozidrive C/S M4 x 8
418-422-D7	1	52072100	Silicone hose Ø 4 x 2
418-422-D8	1	53011000	Handle black 116 mm
418-422-D9	1	57410300	Housing water valve PP415/422
418-422-D10	1	58355200	Cover 22 kW HF-power pack low voltage side
418-422-D11	1	64024500	Connector with cables for remote in PP422
418-422-D12	1	64024600	Connector with cables 24V in PP422
418-422-D13	1	64024700	Connector with cables 400V in PP422
418-422-D14	4	64060200	LED Red
418-422-D15	1	64180800	Push-button with green indicator
418-422-D16	1	64180900	Contact block w. LED
418-422-D17	1	64230500	Emergency stop button 40mm
418-422-D18	1	64230600	Contact block for emergency stop
418-422-D19	1	64350100	Hour meter
418-422-D20	1	98735300	Symbol plate warning lights
418-422-D21	1	98736200	Symbol plate kill switch

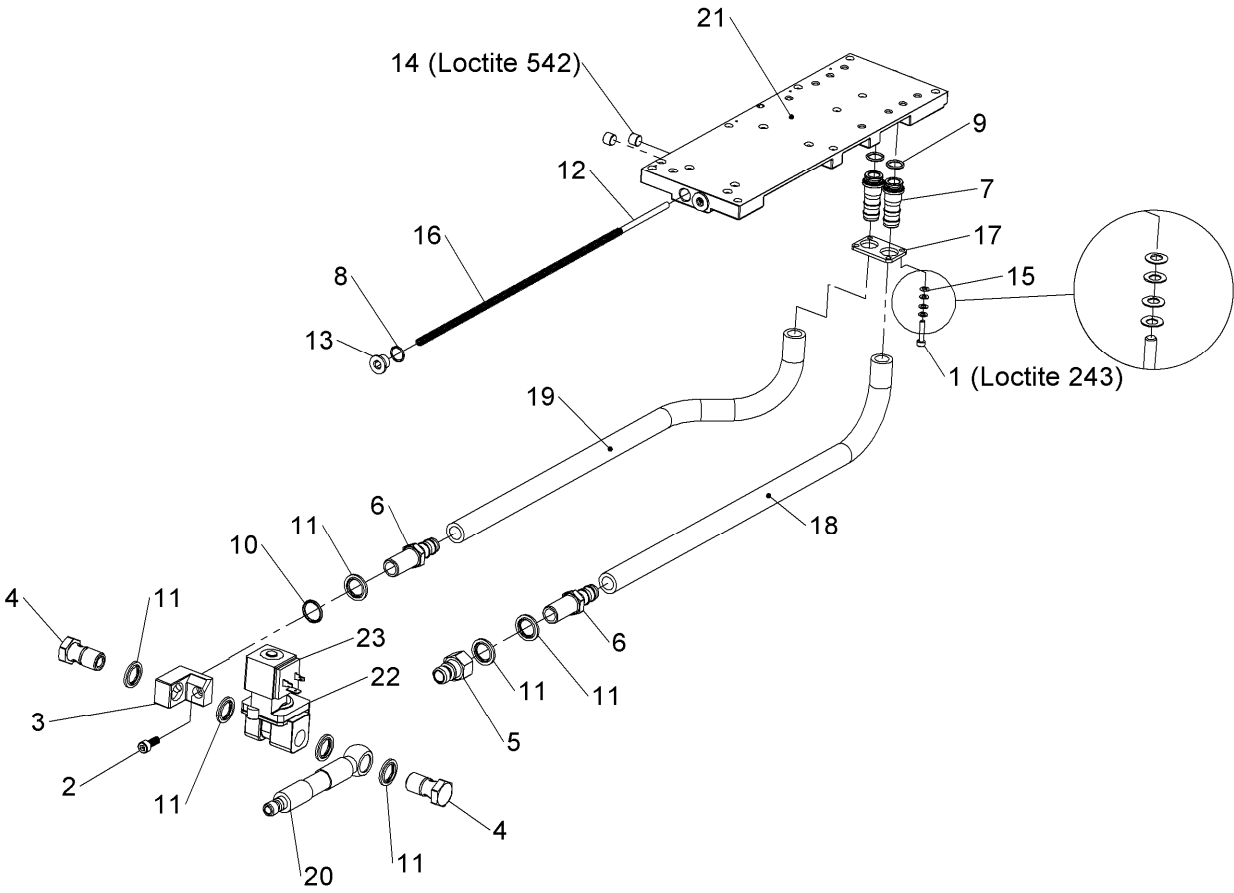
Cover high voltage side



**Cover high voltage side**

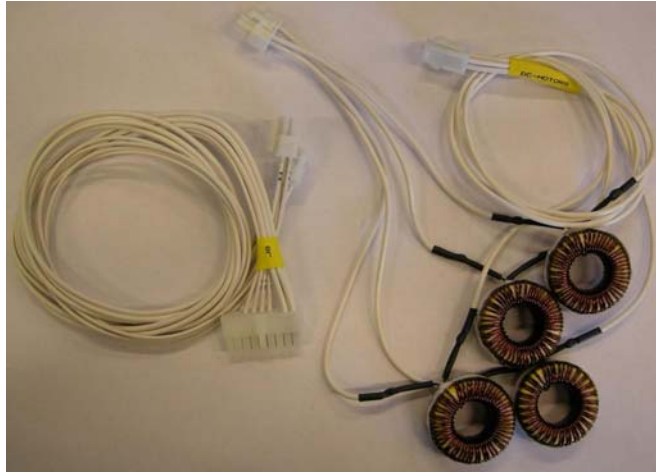
<b>Pos.</b>	<b>Qty</b>	<b>Part number</b>	<b>Description</b>
418-422-E1	2	12070104	Nut M4 Locking
418-422-E2	4	121004010-8.8FZ	Allen screw DIN912 M4 x 10 8.8 Fzb
418-422-E3	2	121004025-8.8FZ	Allen screw DIN912 M4 x 25 8.8 Fzb
418-422-E4	1	121006008-8.8FZ	Allen screw DIN912 M6 x 8 8.8 Fzb
418-422-E5	3	121006016-8.8FZ	Allen screw DIN912 M6 x 16 8.8 Fzb
418-422-E6	2	121006020-8.8FZ	Allen screw DIN912 M6 x 20 8.8 Fzb
418-422-E7	4	121514020	Screw pozidrive KX-PT 4 x 20
418-422-E8	4	121515020	Screw pozidrive KX-PT 5 x 20
418-422-E9	1	122906010	Grub screw M6 x 10
418-422-E10	1	22410700	Spacer recepticle PP422
418-422-E11	2	23204510	Dowty washer 4.5 x 7 x 1
418-422-E12	1	52072100	Silicone hose Ø 4 x 2
418-422-E13	1	53011000	Handle black 116 mm
418-422-E14	1	58355500	Cover 22 kW HF-power pack high voltage side
418-422-E15	1	64011110	Terminal block HE16 3-pole
418-422-E16	1	64093300	Cover intake connector 400V 32A
418-422-E17	1	64110500	Intake 32A 400 V
418-422-E18	1	64360100	Outlet 230V 10A
418-422-E19	1	64300100	Automatic fuse 10A
418-422-E20	1	64300200	Watersplash-cover aut. fuse
418-422-E21	2	64682000	Fitting M32
418-422-E22	1	64682100	Insert 5 x 6 for M32

Cooling system

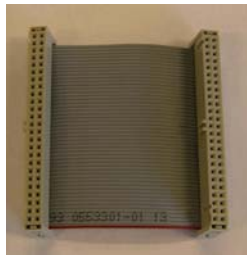


**Cooling system**

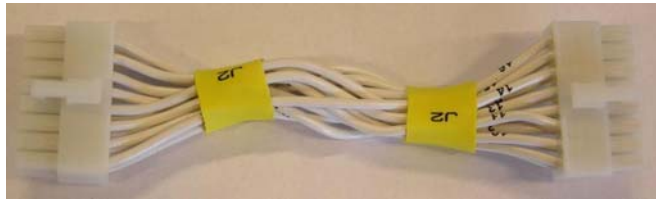
<b>Pos.</b>	<b>Qty</b>	<b>Part number</b>	<b>Description</b>
PP418-422-F1	4	121004020-8.8FZ	Allen screw DIN912 M4 x 20 8.8Z
PP418-422-F2	1	121006016-8.8FZ	Allen screw DIN912 M6 x 16 8.8Z
PP418-422-F3	1	18040100	Manifold water valve
PP418-422-F4	2	19201000	Banjo screw 3/8"
PP418-422-F5	1	19240500	Coupling male inner 3/8" Tema 1800
PP418-422-F6	2	19310607	Fitting push-lok - 3/8" BSPP
PP418-422-F7	2	19320616	Fitting cooling block PP418-427
PP418-422-F8	4	23115012	O-ring 12 x 1.5 NBR 70
PP418-422-F9	2	23120012	O-ring 12 x 2 NBR 70
PP418-422-F10	1	23120017	O-ring 17 x 2 NBR 70
PP418-422-F11	7	23200038	Dowty washer 3/8"
PP418-422-F12	2	24510500	EPDM string Ø5 mm L = 290 mm
PP418-422-F13	4	25051200	Plug M12 x 1 with flange
PP418-422-F14	2	25070300	Plug 1/8" BSPT
PP418-422-F15	16	TAFR	Belleville washer 8 x 4.2 x 0.4
PP418-422-F16	2	320705300	Spring 0.75 x 5 x 300 stainless
PP418-422-F17	1	46550100	Holder plate for fittings PP418-427
PP418-422-F18	1	52060120-440	Hose 1/2" Push-Lok L = 440 mm
PP418-422-F19	1	52060120-600	Hose 1/2" Push-Lok L = 600 mm
PP418-422-F20	1	52120501	Tema coupling with hose PP415 / 422
PP418-422-F21	1	60360600	Cooling block Pentpak 418-427
PP418-422-F22	1	60490100	Water-valve without coil
PP418-422-F23	1	60490200	Coil for water-valve



64022900 Cable J8 for Digital servo PP422



64023000 Cable J1 control/interfacecard PP422



64023100 Cable J2 control/interface PP422



64023200 Cable J3 water valve PP422



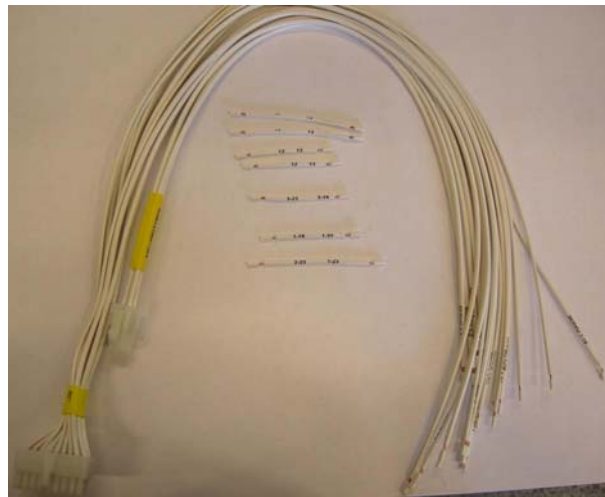
64023300 Cable J4 analog motor power PP422



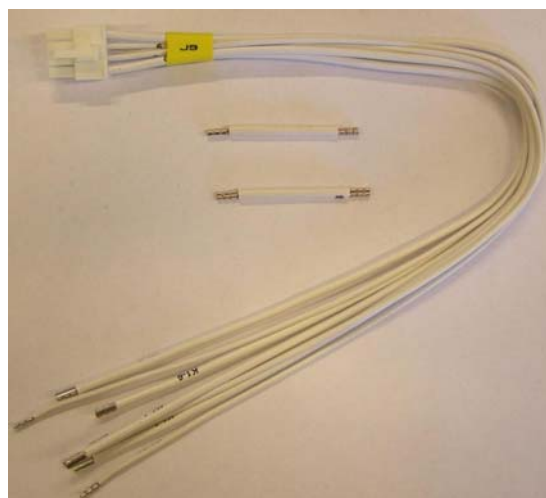
64023400 Cable J5 Hour metre PP422



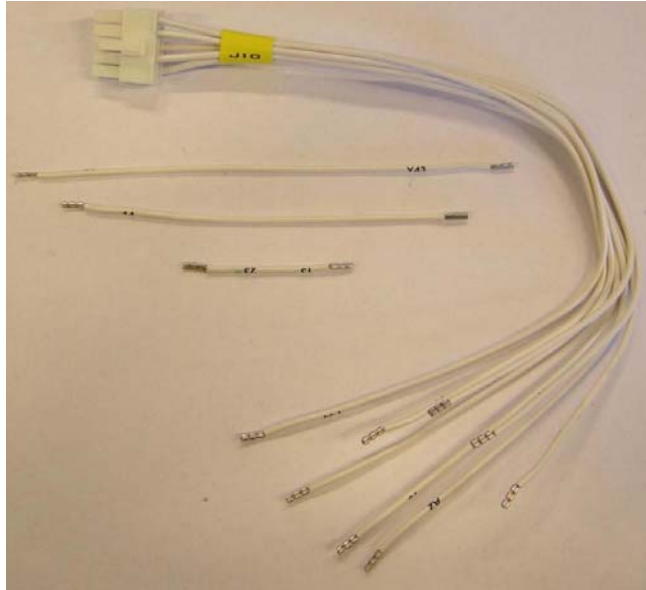
64023500 Cable J7 feed from power supply PP422



64023600 Cable J8 for Analogue servo PP422



64023700 Cable J9 contactor PP422



64023800 Cable J10 safety module PP422



64023900 Cable J12 emergency stop & LED PP422

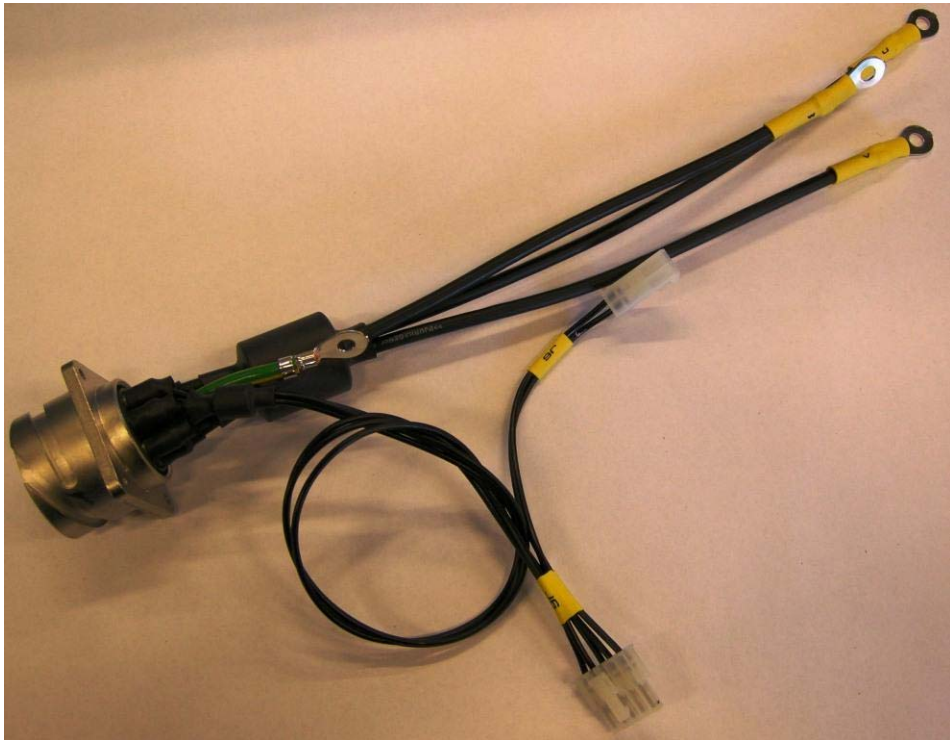


64024500 Connector w cables for remote HF-PP



64024600 Cable with contacts 24V HF-PP





64024700 Cable with contacts 400V PP422/418



64025600 Cable for RS485 PP422



64028601 Cable kit power supply + earth 422