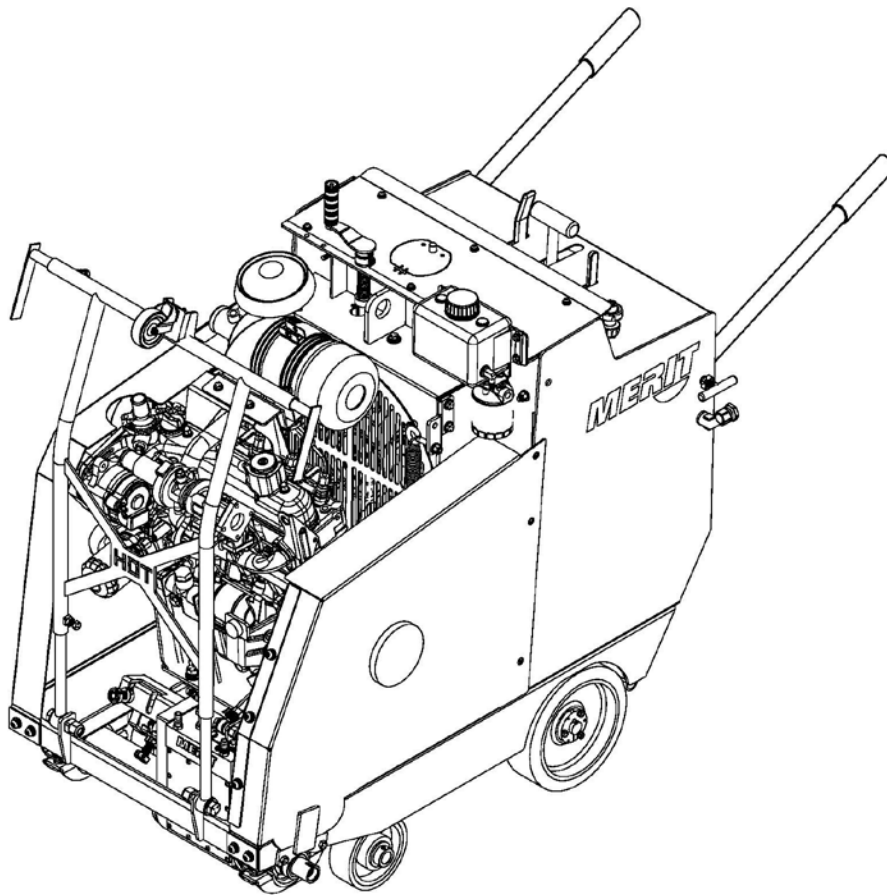


# MERIT

AN **OREGON** BRAND



## Replacement Parts & Accessories Price List



### M400SS-50G-R4-1110

Effective October 15, 2022

1

<b>NOTICE</b> DO NOT OVER TIGHTEN BELTS		 	
<b>NOTICE</b> DO NOT OVER TIGHTEN BELTS			
	<b>WARNING</b> EXPOSED PULLEYS AND BELTS. DO NOT OPERATE MACHINE WITHOUT BOLTED GUARDS IN PLACE.		<b>WARNING</b> EXPOSED PULLEYS AND BELTS. DO NOT OPERATE MACHINE WITHOUT BOLTED GUARDS IN PLACE.
	<b>WARNING</b> EXPOSED PULLEYS AND BELTS. DO NOT OPERATE MACHINE WITHOUT BOLTED GUARDS IN PLACE.		<b>WARNING</b> BURN HAZARD DO NOT REMOVE RADIATOR CAP WHILE SYSTEM IS HOT. USE 50/50 COOLANT
	<b>WARNING</b> EXPOSED PULLEYS AND BELTS. DO NOT OPERATE MACHINE WITHOUT BOLTED GUARDS IN PLACE.		<b>WARNING</b> HIGH-SPEED FAN KEEP HANDS CLEAR WHILE MACHINERY IS IN OPERATION
	<b>WARNING</b> EXPOSED PULLEYS AND BELTS. DO NOT OPERATE MACHINE WITHOUT BOLTED GUARDS IN PLACE.		<b>WARNING</b> UNLEADED FUEL ONLY
	<b>CAUTION</b> DO NOT SHIFT GEARS WHILE ENGINE IS RUNNING. THIS WILL CAUSE SEVERE DAMAGE TO THE EQUIPMENT.		<b>CAUTION</b> ALWAYS TURN OFF MACHINERY BEFORE SHIFTING GEARS ALWAYS MAKE SURE SHIFT LEVERS ARE PROPERLY LOCKED INTO POSITION BEFORE CUTTING USE 100% 85-140 LUCAS GEAR OIL
<b>NOTICE</b> DO NOT OVER GREASE BEARINGS		<b>NOTICE</b> DO NOT OVER GREASE BEARINGS	
<p>For patent information visit: <a href="http://icsdiamondtools.com/patents">icsdiamondtools.com/patents</a>. ©2021 ICS   Blount, Inc. All Rights Reserved.                  WARNING: This product can expose you to chemicals including lead which is known to the State of California to cause cancer and birth defects or other reproductive harm.                  For more information go to: <a href="http://www.P65Warnings.ca.gov">www.P65Warnings.ca.gov</a></p>			

Labels for all gasoline saws. Your saw may not require all labels on this sheet.

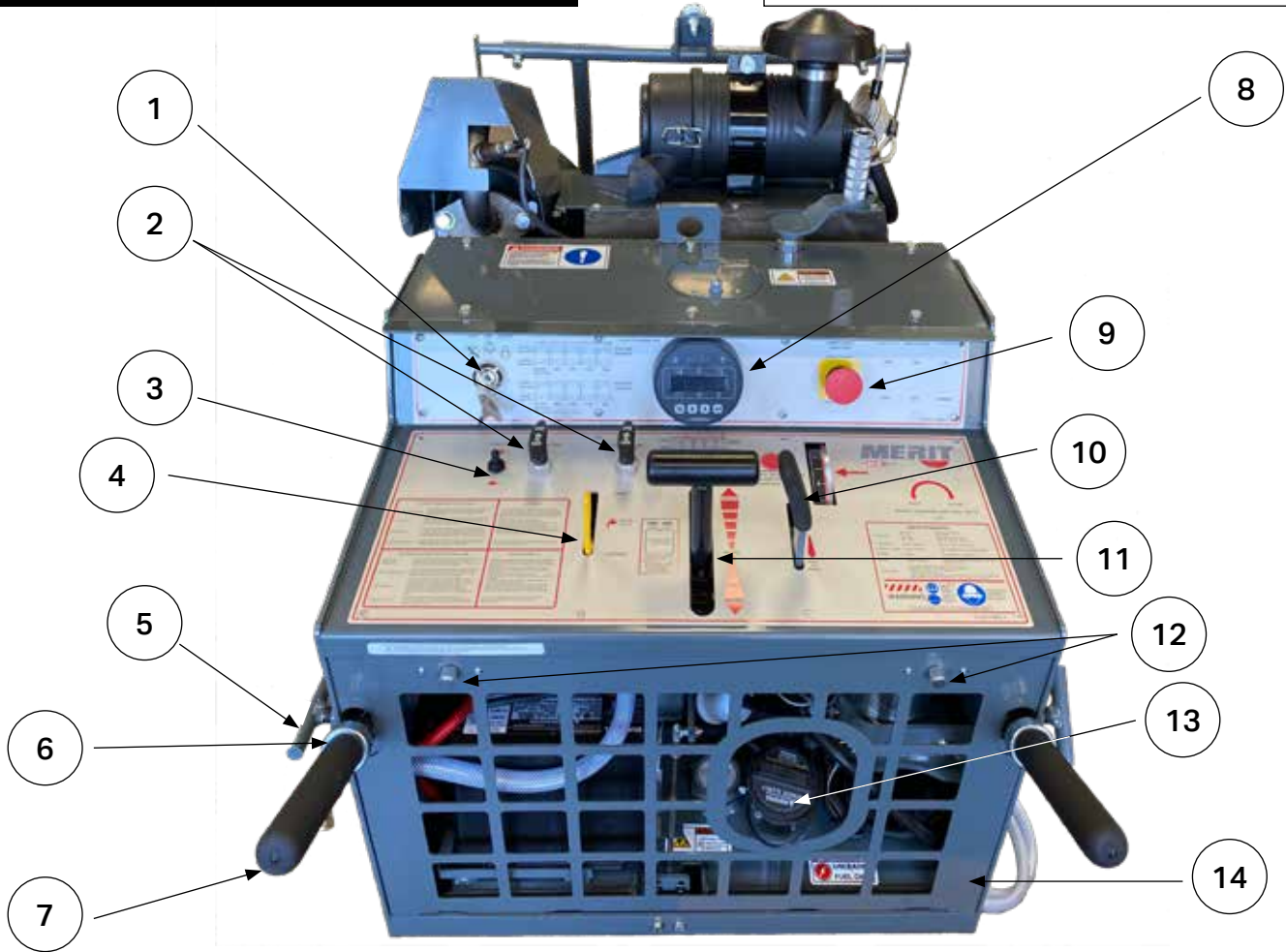
Item	Part Number	Qty per pack	Description	Qty Needed for view above	MSRP
1	490378	1	SAFETY DECAL, GASOLINE SAWS	1	\$9.35



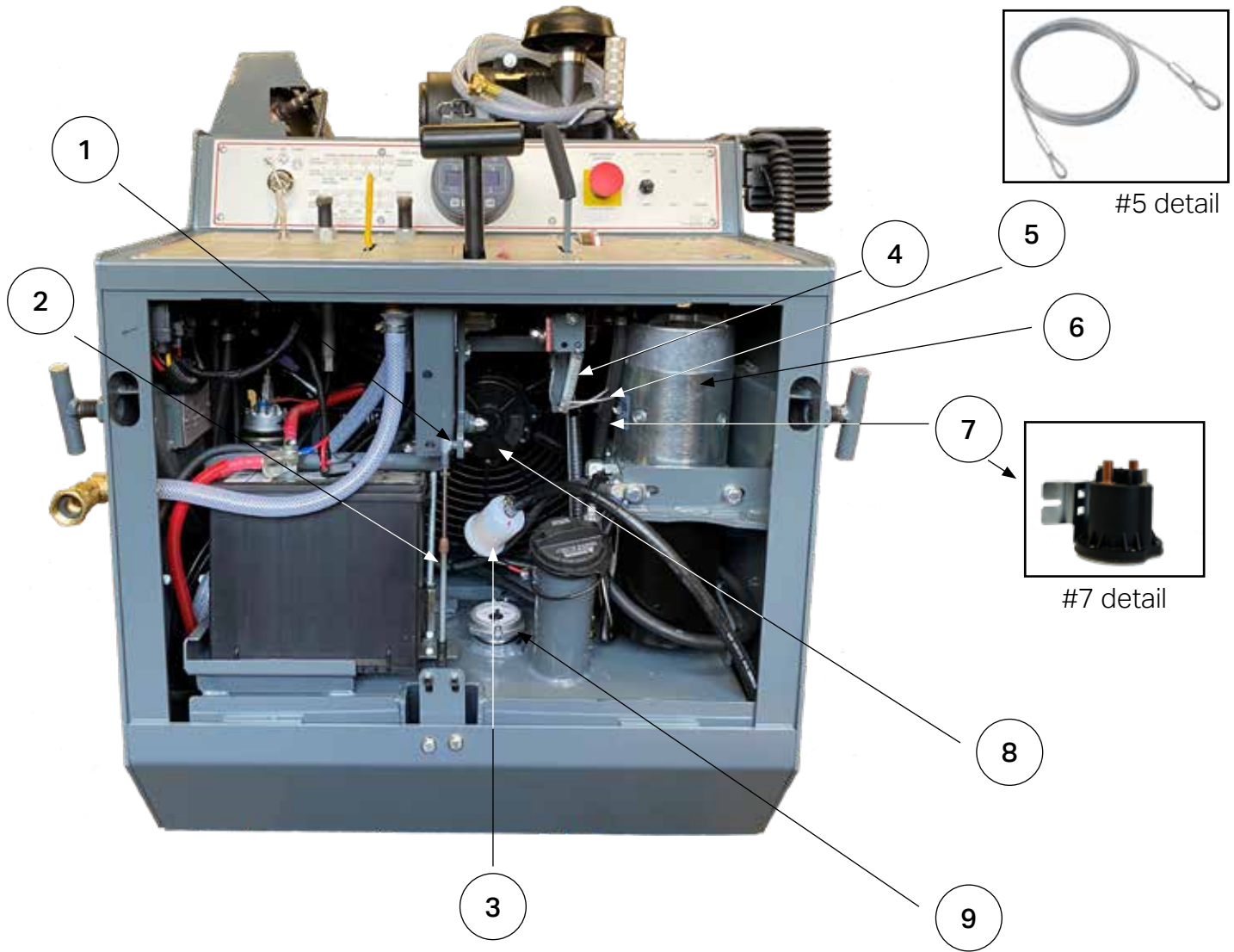
Item	Part Number	Qty per pack	Description	Qty Needed for view above
1	45172	1	RUBBER FLAP, 6 X 8	1
2	48207	1	1-1/2 BLADE WRENCH	1
3	10206	1	NYLON BUSHING, 2-5/16 IN L	1
Not shown	10205	1	NYLON BUSHING, 3-5/16 IN L	1
Not shown	12IBG	1	12" BLADE CAPACITY (12" X 2")	1
4	14IBG	1	14" BLADE CAPACITY (14" X 2")	1
Not shown	16IBG	1	16" BLADE CAPACITY (16" X 2")	1
Not shown	18IBG	1	18" BLADE CAPACITY (18" X 2")	1
Not shown	20IBG	1	20" BLADE CAPACITY (20" X 2")	1
Not shown	24IBG	1	24" BLADE CAPACITY (24" X 2")	1
5	26IBG	1	26" BLADE CAPACITY (26" X 2")	1
Not shown	30IBG	1	30" BLADE CAPACITY (30" X 3")	1
6	21900	1	NIGHTLIGHT KIT (incl panel switch and complete harness)	1

# CONTROL PANEL COMPONENTS

M400SS-50G-R4-1110 FLAT SAW

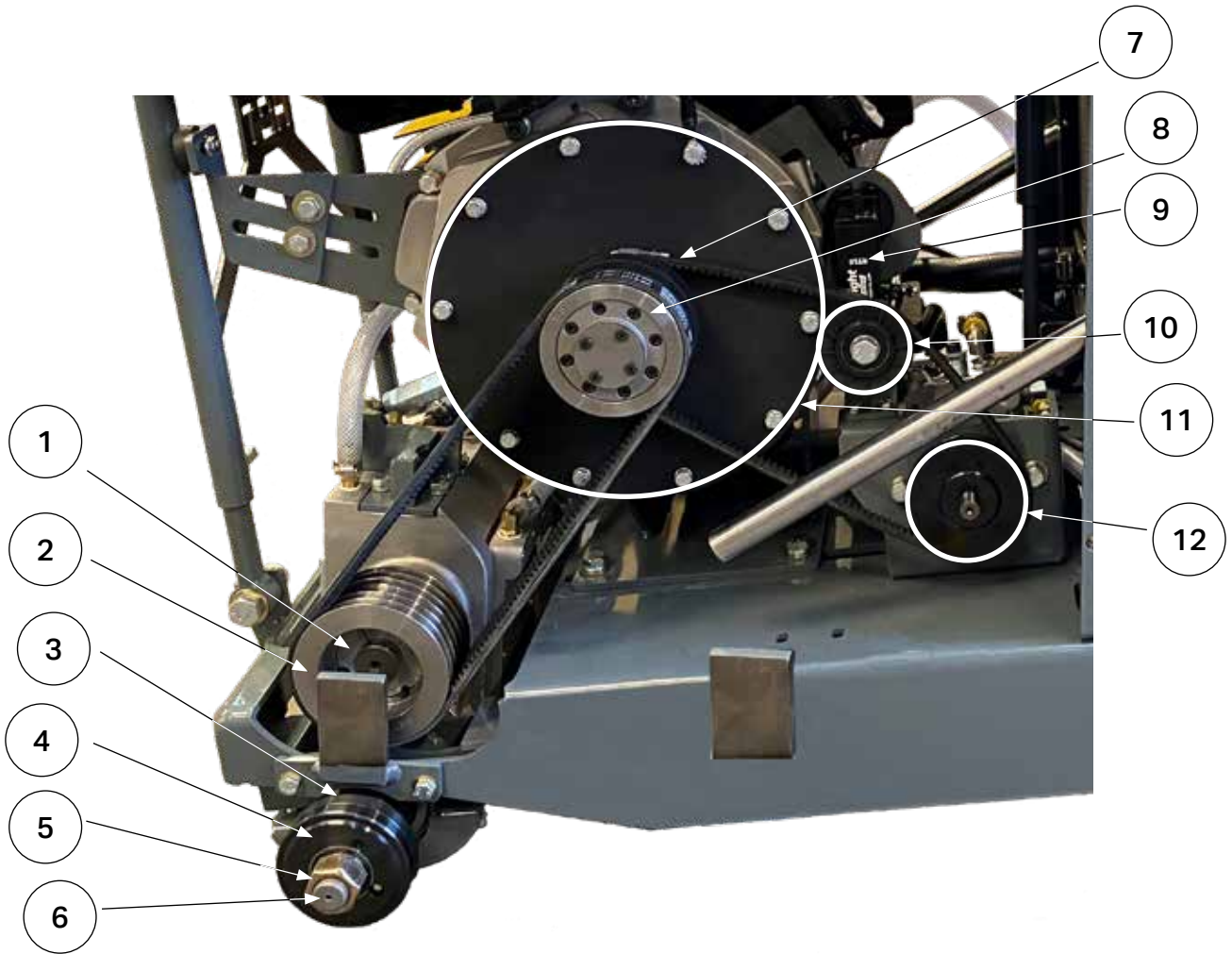


Item	Part Number	Qty per pack	Description	Qty Needed for view above
1	21129	1	KUBOTA IGNITION SWITCH ASSEMBLY (incl key)	1
2	22249	1	CABLE TWIST LOCK, 6ft	2
3 not shown	22224	1	THROTTLE SWITCH, GAS SAWS (not shown)	1
3	17167	1	SWITCH BOOT	1
4	21130	1	WATER VALVE ASSEMBLY (incl bracket & fittings)	1
5	15182RP	1	BRACKET, 5/8-11 T-LOCK	2
6	15152	1	SET COLLAR, 1" ZINC	2
7	45113	1	FOAM HANDLEBAR GRIP (handlebar not incl)	2
7 not shown	45103	1	METAL HANDLEBAR, 42" (not shown)	2
8	22163	1	DIGITAL DISPLAY CONTROLLER, KUBOTA GAS ENG	1
9	22248RP	1	"EMERGENCY SHUT-OFF (incl 2 contact blocks w/kill switch)"	1
10	21162	1	RAISE AND LOWER MECHANISM	1
11	21161	1	ASSEMBLY, FRONT MECHANISM	1
12	490084	1	PANEL LATCH, SPRING-CAM	2
13	17171	1	FUEL CAP, BLACK TETHERED, EPA COMPIANT	1
14	17202RP	1	REAR PANEL	1

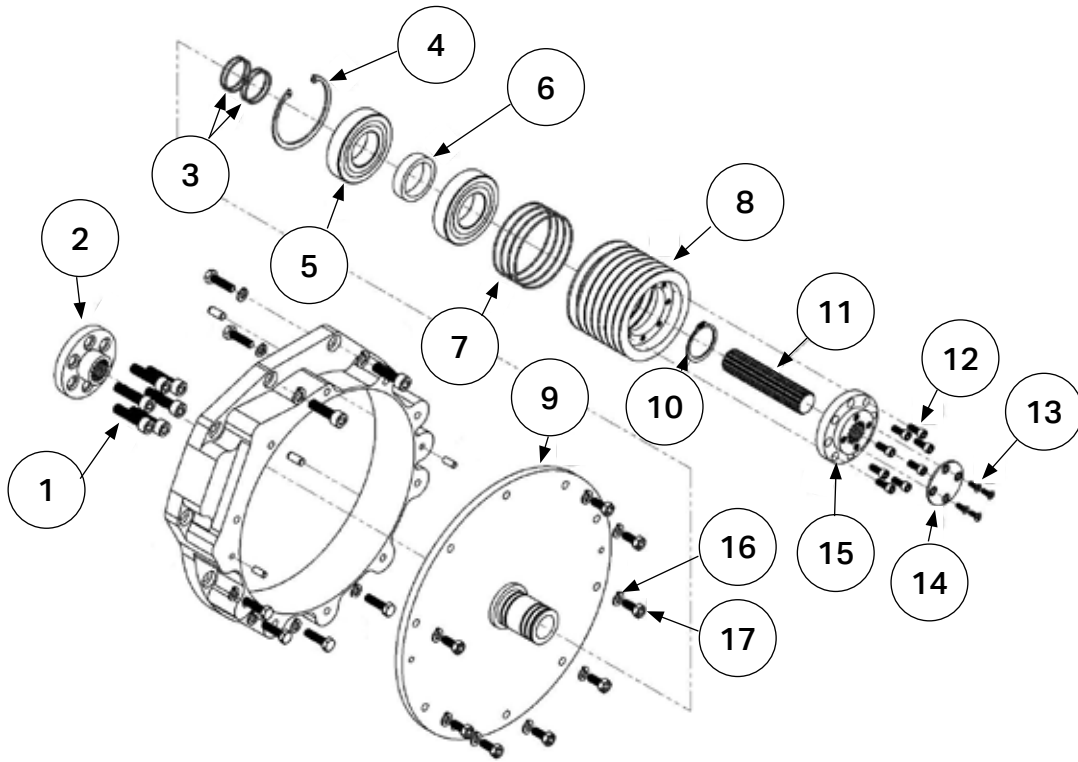


Item	Part Number	Qty per pack	Description	Qty Needed for view above
1	16102	1	BALL JOINT, SPRING LOADED	1
2	22121	1	60 FORWARD/REVERSE CABLE	1
3	625133	1	FUEL FILTER ASSY, KUBOTA	1
4	41118	1	EXT SPRING, 0.50" OD X 3.75" L X 10 LBS	1
5	22153	1	"WIRE ROPE, GALVANIZED STEEL 3/32 OD please provide saw model number when ordering must order 2 of p/n 15848 with this item"	4.3ft
6	14305-B	1	HYD LIFT PUMP, SQUARE MANIFOLD NEW STYLE	1
7	490469	1	12V SOLENOID, FOR BUCHER PUMP	1
8	11129	1	ELECTRIC FAN, 16"	1
9	46109	1	FUEL GAUGE, MAGNETIC, 6" SPIRAL, 1-1/2" NPT	1
Not shown	15848	1	COMPRESSION SLEEVE	2

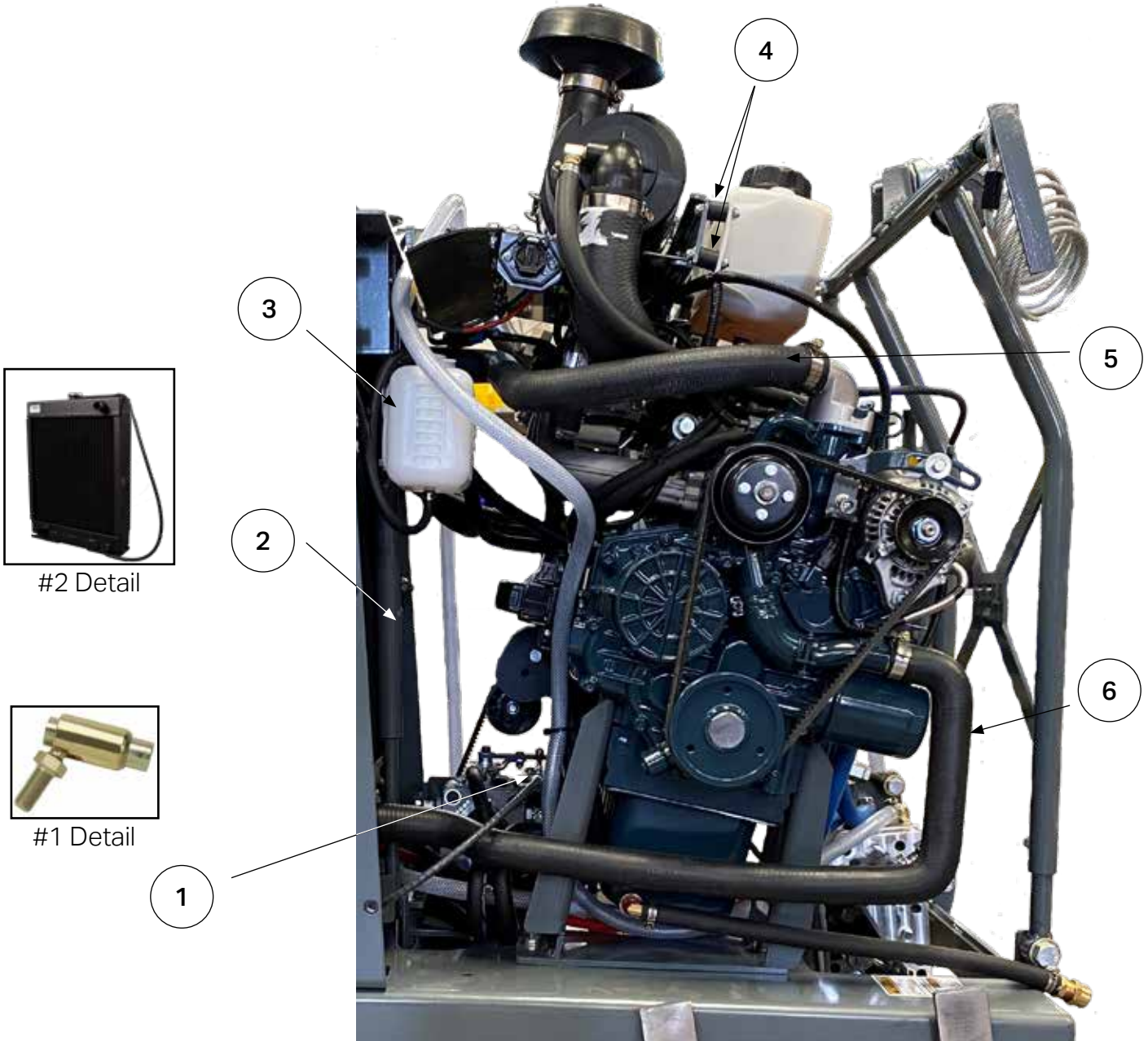




Item	Part Number	Qty per pack	Description	Qty Needed for view above
1	10185	1	TAPER LOCK BUSHING, 2012 x 1-3/8"	1
2	13187	1	PULLEY, 6/3VX4.75-2012, MD GEARBOX	1
3	15154	1	4" INNER BLADE COLLAR, 3/8-16X1-1/4 GR8	2
4	15155RP	1	BLADE COLLAR, 4" OUTER	2
5	15199	1	BLADE NUT, RHT GR8 HEX, 1-14, YELLOW	1
Not shown	15200	1	BLADE NUT, LHT 1-14	1
6	15306RP	1	STUD, 1-14 X 3-1/2" RHT (STANDARD)	1
Not shown	15307RP	1	STUD, 1-14 X 3-1/2" LHT (STANDARD)	1
7	AX33	1	BELT, AX33	1
8	2/3VX400	1	BELT, 2/3V X 400	3
9	41119	1	TENSIONER, BLUE (STARTING, 2/15/18)	1
10	13978	1	PULLEY, 1/2 ID 3 OD 1/2 W NYLON	1
11	21126	1	PTO KIT (see page 7 for list of included parts)"	1
12	13181	1	PULLEY, AK40 X 5/8" HYDROSTAT PUMP	1

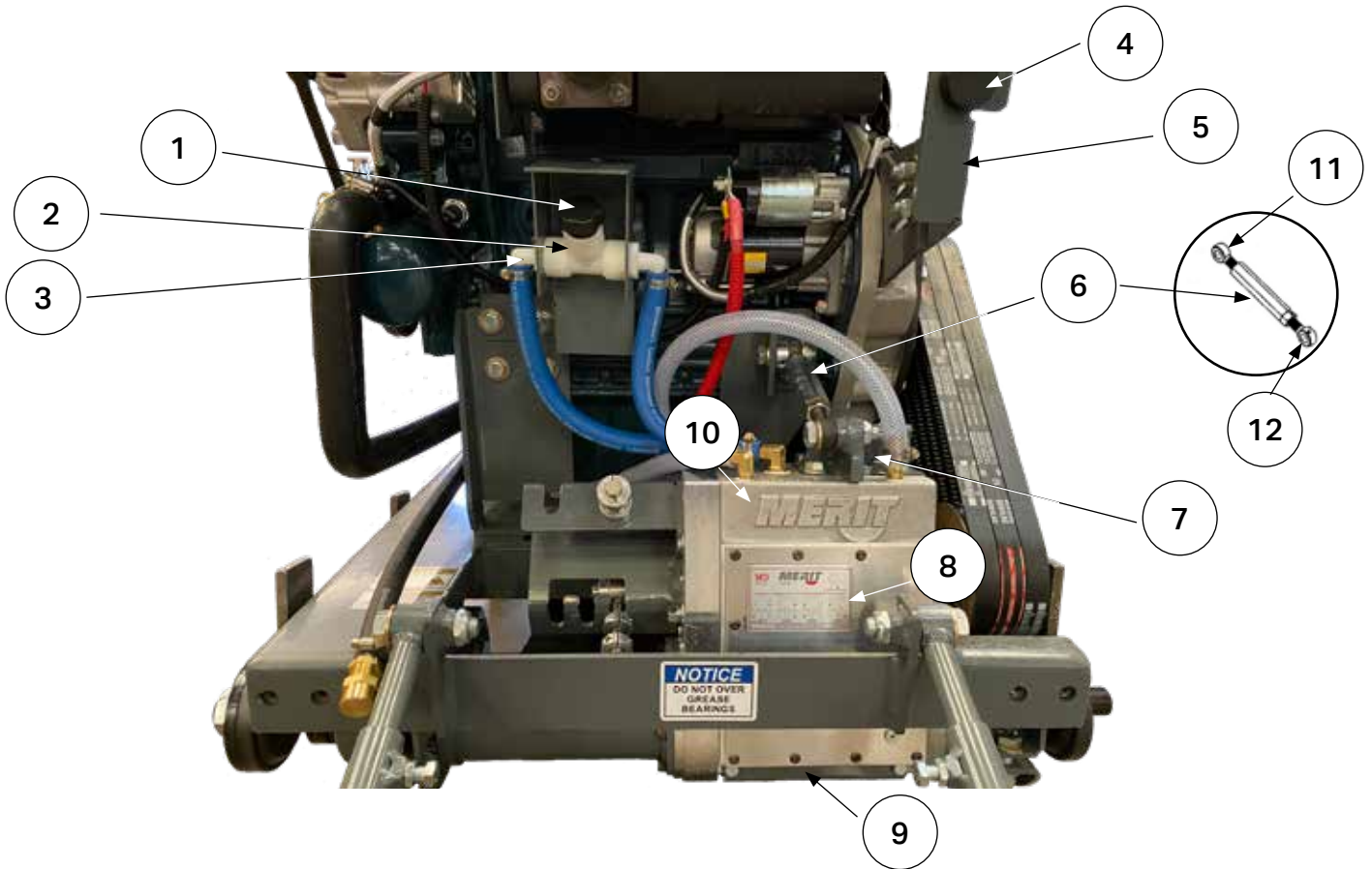


Item	Part Number	Qty per pack	Description	Qty Needed for view above
Splined Kit items				
1	15276	1	HEX HEAD CAP SCREW M8 1.25 X 40MM ZINC	6
2	490002	1	SPLINED DRIVE FLANGE, 50HP	1
11	10319RP	1	SPLINED DRIVE SHAFT, 4.5"	1
12	15265	1	FLAT HEAD SOCKET CAP SCREW 1-4/28 X 5/8"	8
13	15371	1	10-24 X .5" FLAT HEAD FOR KUBOTA PTO	4
14	17201	1	RETAINER CAP, SPLINED DRIVE SHAFT	1
15	17168	1	SPLINED DRIVE CAP	1
PTO complete assembly Kit*				
3	12116	1	O-RING, NO. 028 HIGH-TEMP	4
4	12113	1	INTERNAL SNAP RING, 3"	1
5	10134	1	BEARING, 6208 2RS	2
6	10354	1	O-DRVE BRG, .481 SPCR, KUB, HYDAI, 60DSS	1
7	12160	1	O-RING, NO. 042 HIGH-TEMP	4
8	13185	1	PULLEY, PTO, 7/3V4.10	1
9	490019	1	PTO, ADAPTER PLATE/BEARING SUPPORT	1
10	12110	1	EXTERNAL SNAP RING, 1-9/16"	1
16	source locally	N/A	5/16" MEDIUM SPLIT LOCK WASHER, ZINC	8
17	source locally	N/A	5/16-18 X 1 GRADE 5 HEX HEAD CAP SCREW	8



Item	Part Number	Qty per pack	Description	Qty Needed for view above
1	16102	1	BALL JOINT, SPRING LOADED	1
2	23211	1	RADIATOR (incl. cap & recovery hose)	1
3	42102	1	COOLANT RESERVOIR	1
4	46213	1	VIBRATION-DAMPING MOUNT, 1/4-20 NEOPRENE	4
5	14300	1	RADIATOR HOSE, UPPER KUBOTA	1
6	14299	1	RADIATOR HOSE, LOWER KUBOTA	1

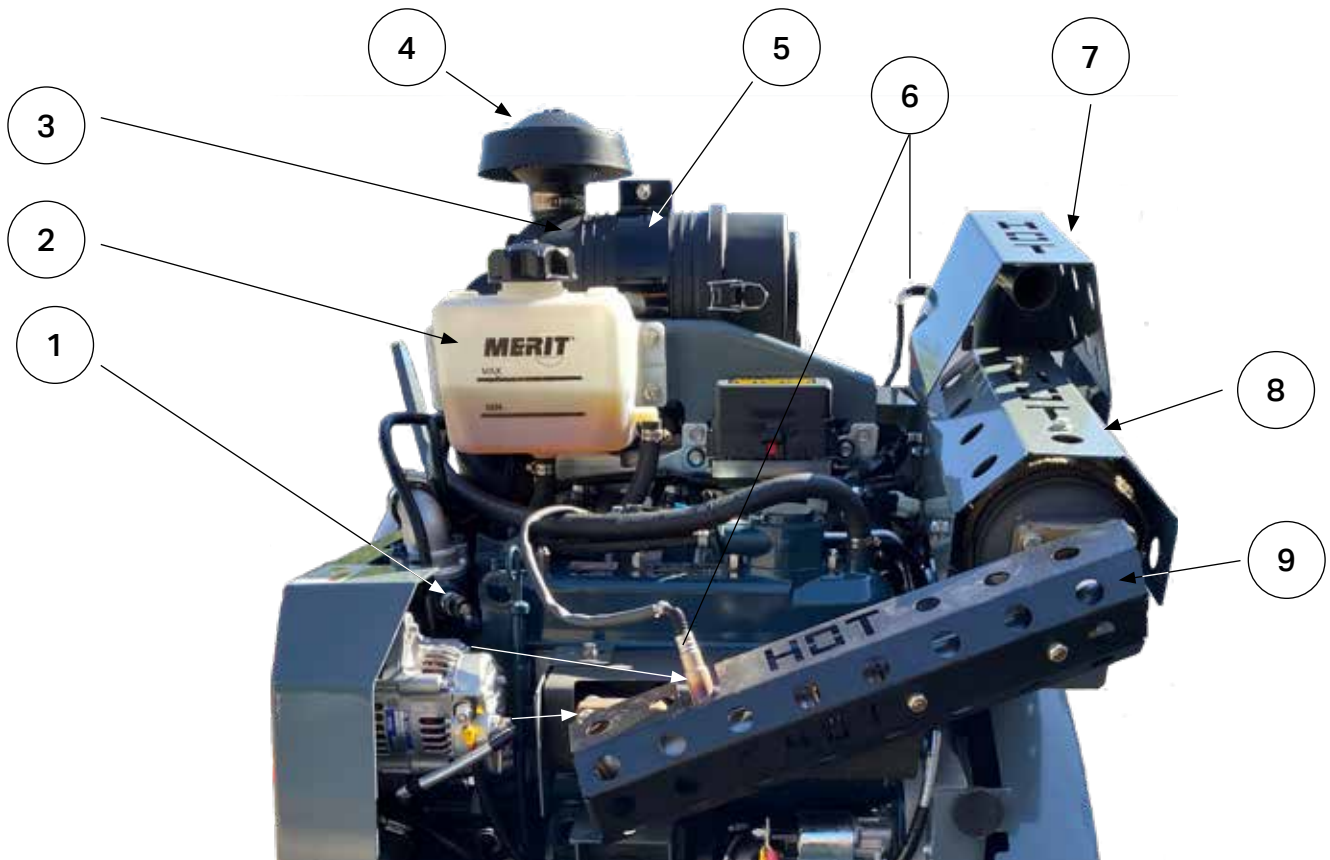




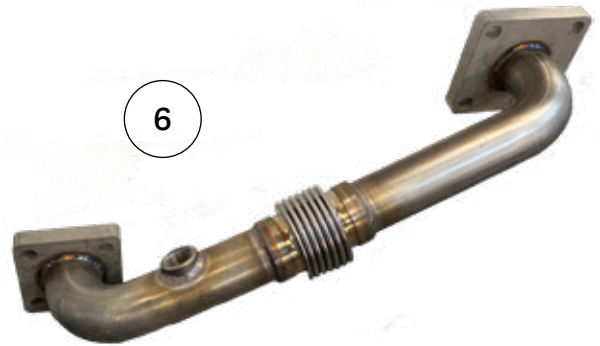
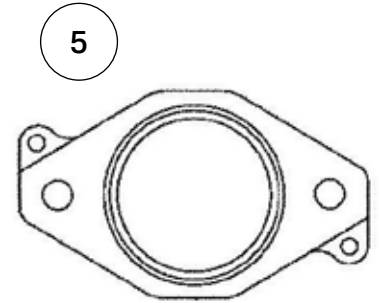
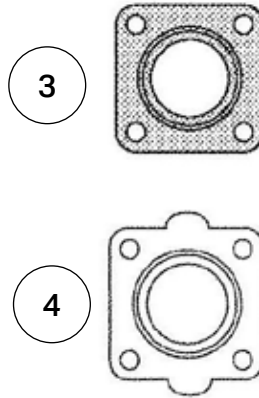
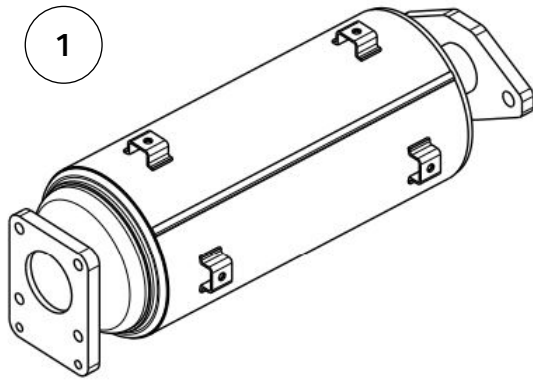
Item	Part Number	Qty per pack	Description	Qty Needed for view above
1	17162	1	BREATHER CAP VENT, 3/4"	1
2	14161	1	NYLON TEE, 3/4"	1
3	14225	1	FITTING, 3/4" MPT X 1/2" BARB 90 NYLON	2
4	18189	1	POINTER STOP BUMPER	1
5	18188RP	1	BRACKET, POINTER STOP (STOP-HOLDER)	1
6	15193	1	COUPLING NUT, RHT/LHT, 1/2-13X4	1
7	18169RP	1	BRACKET, MD TENSIONER (BOX-MOUNTED)	1
8	73150	1	DECAL, MD GAS GB SHIFT GUIDE	1
9	17210RP	1	BRACKET, SKID PLATE MD GEARBOX	1
10	21356RP	1	MD GEARBOX W/GAS DECAL	1
11	15139	1	EYEBOLT, 1/2-13 RHT	1
12	15138	1	EYEBOLT, 1/2-13 LHT	1

# FRONT EXHAUST SYSTEM

M400SS-50G-R4-1110 FLAT SAW

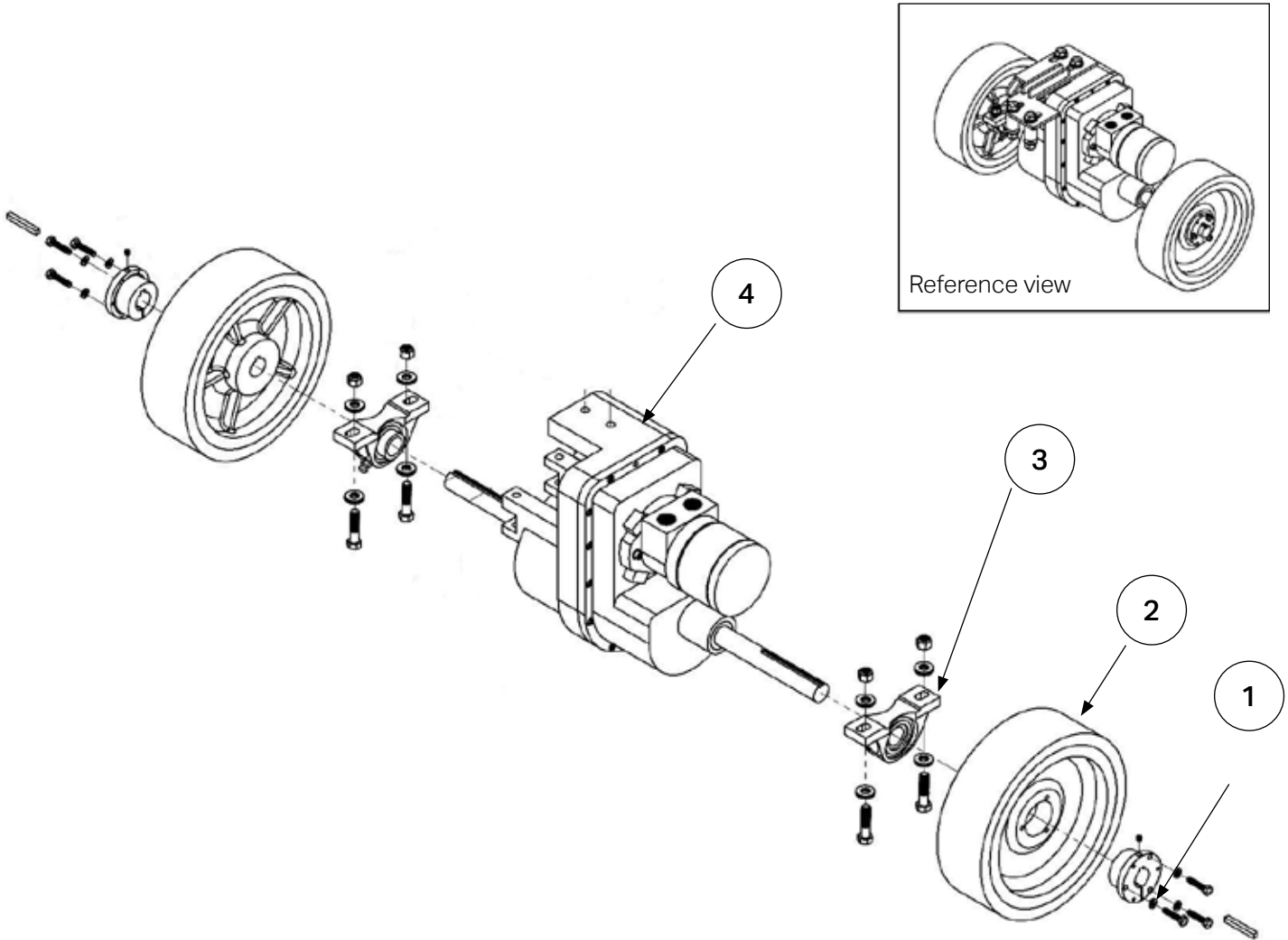


Item	Part Number	Qty per pack	Description	Qty Needed for view above
1	22845	1	THERMAL SWITCH, 185 DEGREES ON 165 OFF	1
2	42101	1	"OIL RESERVOIR TANK, 2 QUART (incl. cap. cap not sold separately)"	1
3	23162	1	AIR FILTER CLEANER ASSY W/ELEMENT	1
4	23175	1	AIR FILTER HOOD	1
5	23176	1	AIR FILTER CLAMP	1
6	22212	1	O2 SENSOR	2
7	18387RP	1	"BRACKET, MUFFLER SECONDARY SHIELD (incl. hardware)"	1
8	23144RP	1	"BRACKET, PRIMARY CATALYST SHIELD (incl. hardware)"	1
9	18257RP	1	"HEAT SHIELD, FLEX PIPE (incl. U-bolt clamps & distorted thread lockout)"	1



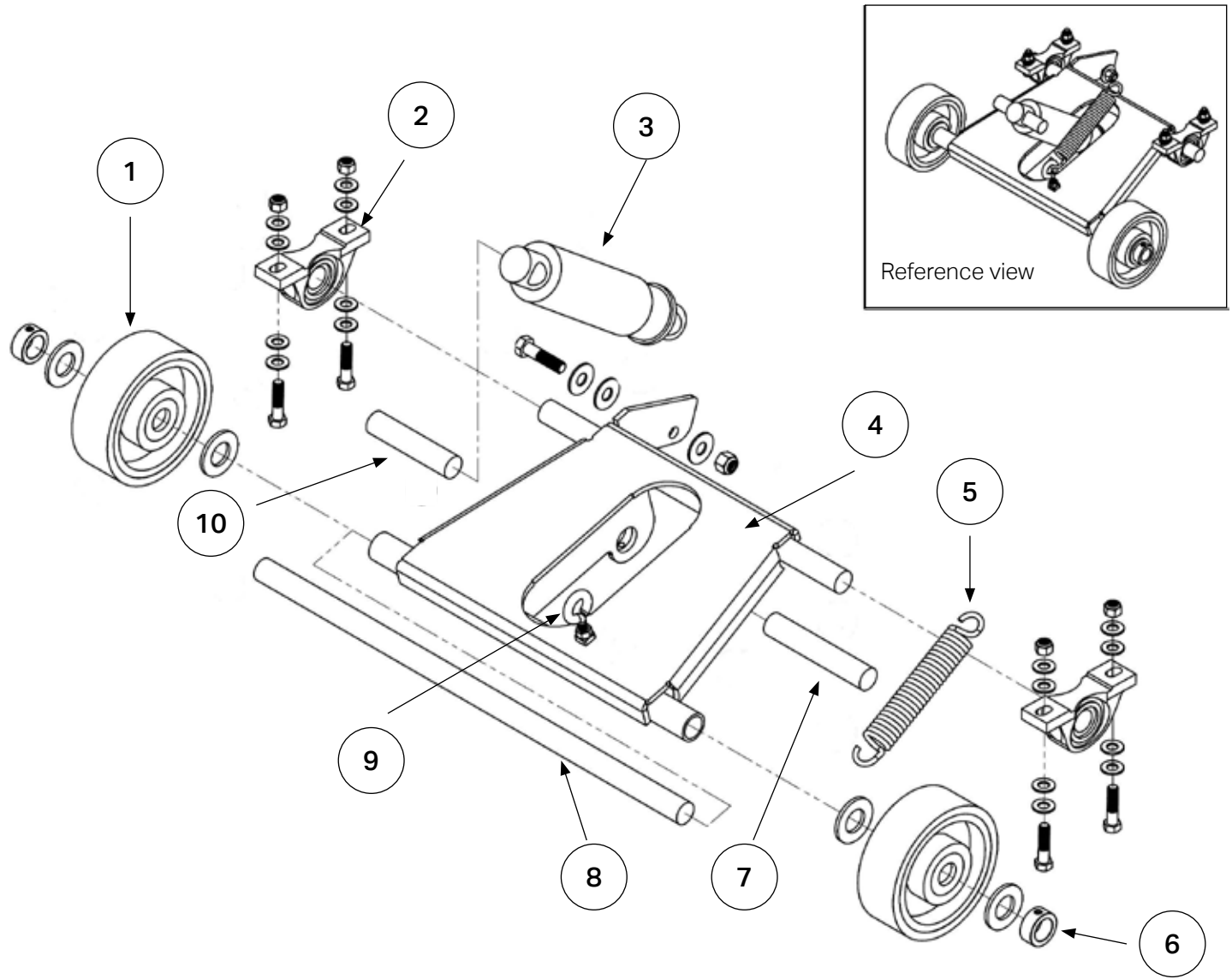
Item	Part Number	Qty per pack	Description	Qty Needed for view above
1	23895RP	1	"CATALYTIC CONVERTER, KUBOTA (kit incl hardware & heat wrap)**"	1
2	23142RP	1	TAIL PIPE KIT (kit incl gasket #5 and hardware)*	1
3	490414	1	GASKET, ENGINE TO FLEX PIPE	1
4	490181	1	GASKET, FLEX-PIPE TO CATALYST	1
5	23208	1	GASKET, CAT-TAIL PIPE	1
6	23143RP	1	FLEX PIPE KIT (kit incl. gaskets 3 & 4 and hardware)*	1

\*Heat Shields and exhaust pipes sold separately. See page 10.



Item	Part Number	Qty per pack	Description	Qty Needed for view above
1	10191	1	QD BUSHING	2
2	45134	1	"REAR WHEEL, 10" X 3" X 1" TAPER BORE BLK NEOPR (part number includes one (1), please purchase two (2))"	2
3	10145	1	PILLOW BLOCK BEARING, 1"	2
4	21163RP	1	ASSEMBLY, MERIT DIFFERENTIAL	1

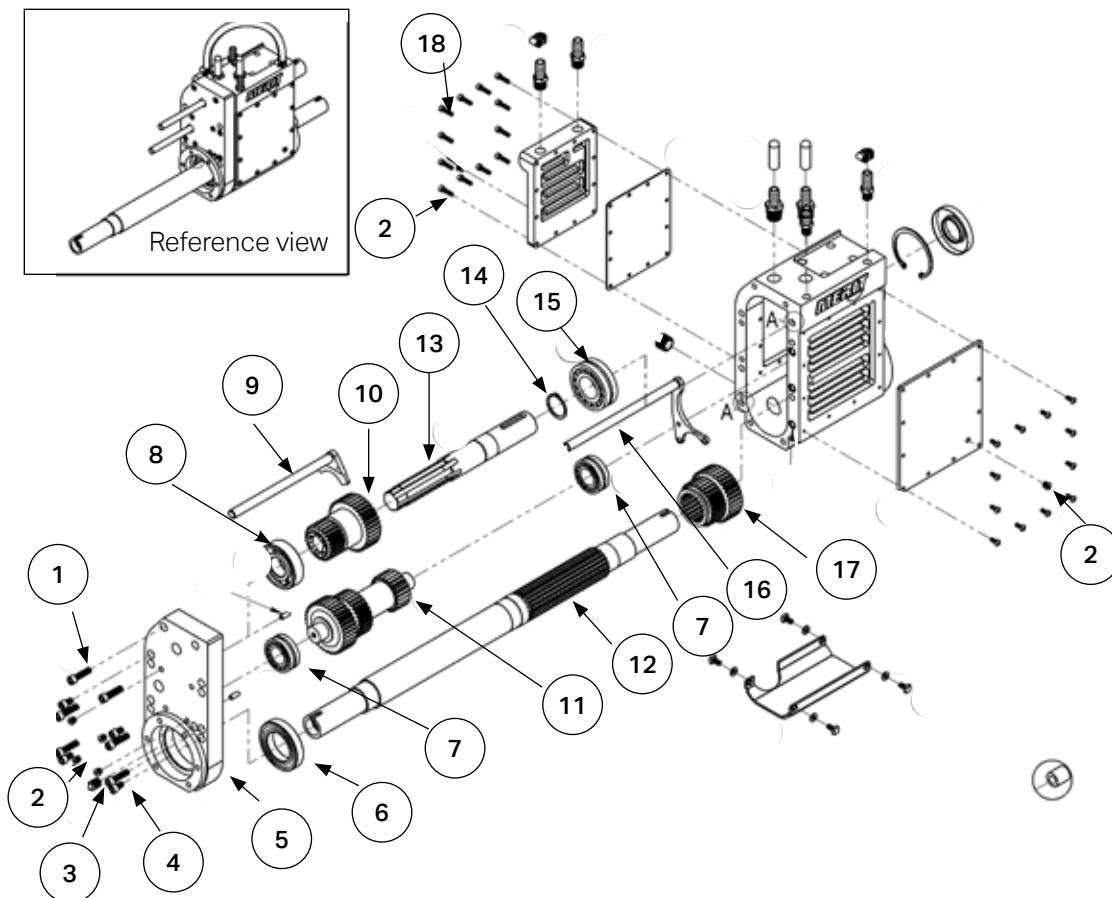




Item	Part Number	Qty per pack	Description	Qty Needed for view above
1	45133	1	FRONT WHEEL, 6" X "2 X 1" SRB BLACK NEOPRENE	2
2	10145	1	PILLOW BLOCK BEARING, 1"	2
3	490037	1	LIFT CYLINDER,	1
4	10122RP	1	FRONT AXLE (hardware not included)	1
5	41112	1	SPRING, 8" FRONT AXLE	1
6	15152	1	SET COLLAR, 1" ZINC	2
7	16124	1	PIN, 1" X 4.75"	1
8	490001	1	AXLE BAR, REAR PIVOT, 1" X 24-1/2"	1
9	15376	1	ROUTING EYEBOLT, W/NUT - NOT FOR LIFTING	1
10	16123	1	PIN 1" X 4"	1

# CENTER HOUSING, SHAFT & GEARS

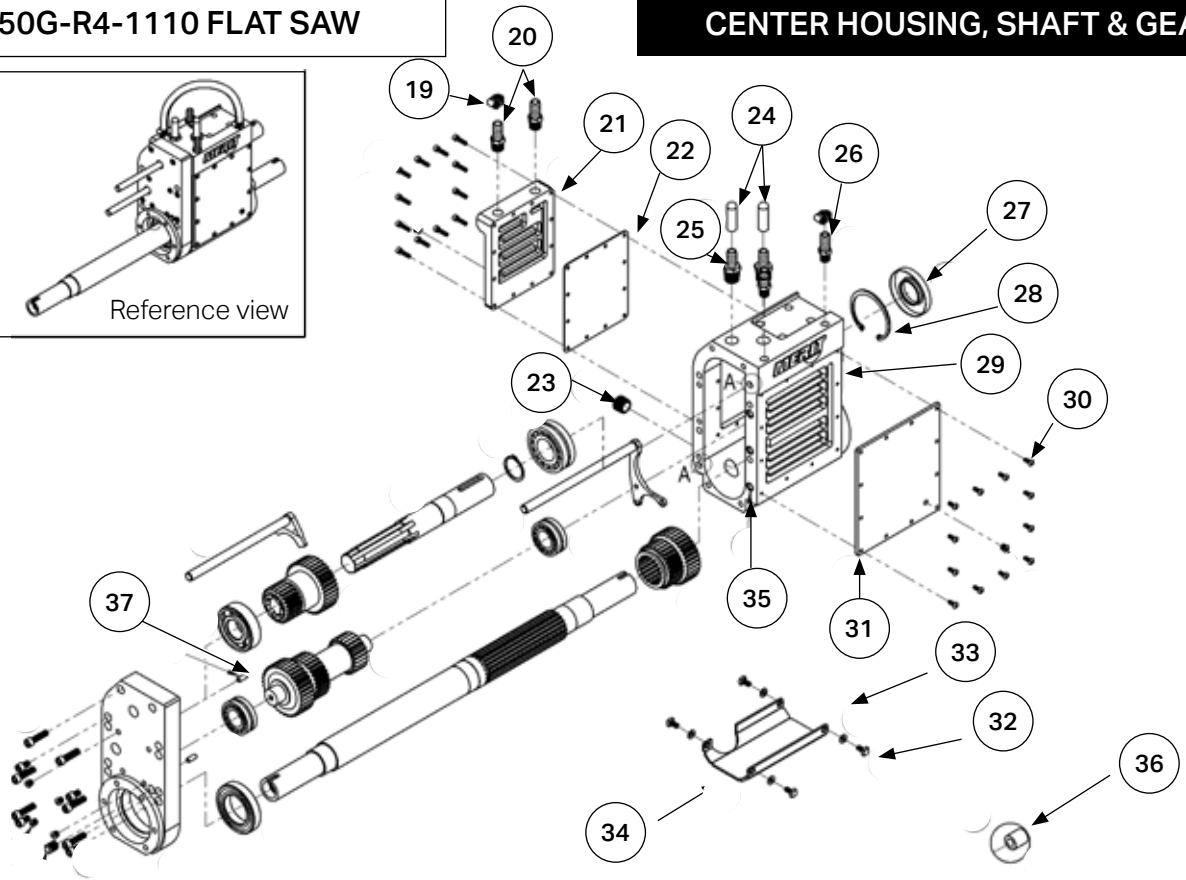
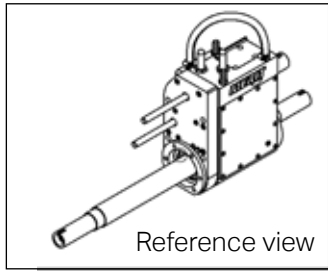
# M400SS-50G-R4-1110 FLAT SAW



Item	Part Number	Qty per pack	Description	Qty Needed for view above
1	source locally	N/A	SOCKET HEAD CAP SCREW 5/16-18" X 1-1/4"	6
2	12105	1	PLUG, NO 2 ORB FLUSH HEX PLUG	6
3	12103	1	FITTING, 1/4 NPT SQUARE HEAD PLUG	1
4	source locally	N/A	SOCKET HEAD CAP SCREW 5/16-18" X 1/2"	4
5	490005	1	END COVER, MD GEARBOX	1
6	10132	1	BEARING, 6009	1
7	10137	1	BEARING, 22205	2
8	10135	1	BEARING, 6306	1
9	10264	1	UPPER SHIFT FORK, MD GEARBOX	1
10	10272	1	SLIDER GEAR, UPPER MD GEARBOX	1
11	10268	1	IDLER GEAR, MD GEARBOX	1
12	10318	1	OUTPUT SHAFT	1
13	10314	1	INPUT SHAFT, MD	1
14	12119	1	EXTERNAL SNAP RING, 1-3/8"	1
15	10138	1	BEARING, 22207	1
16	490006	1	SHIFT FORK, LOWER MD GEARBOX	1
17	490003	1	LOWER SLIDER GEAR, MD GEARBOX	1
18	source locally	N/A	10-24 x 3/4" SOCKET HEAD CAP SCREW	12

M400SS-50G-R4-1110 FLAT SAW

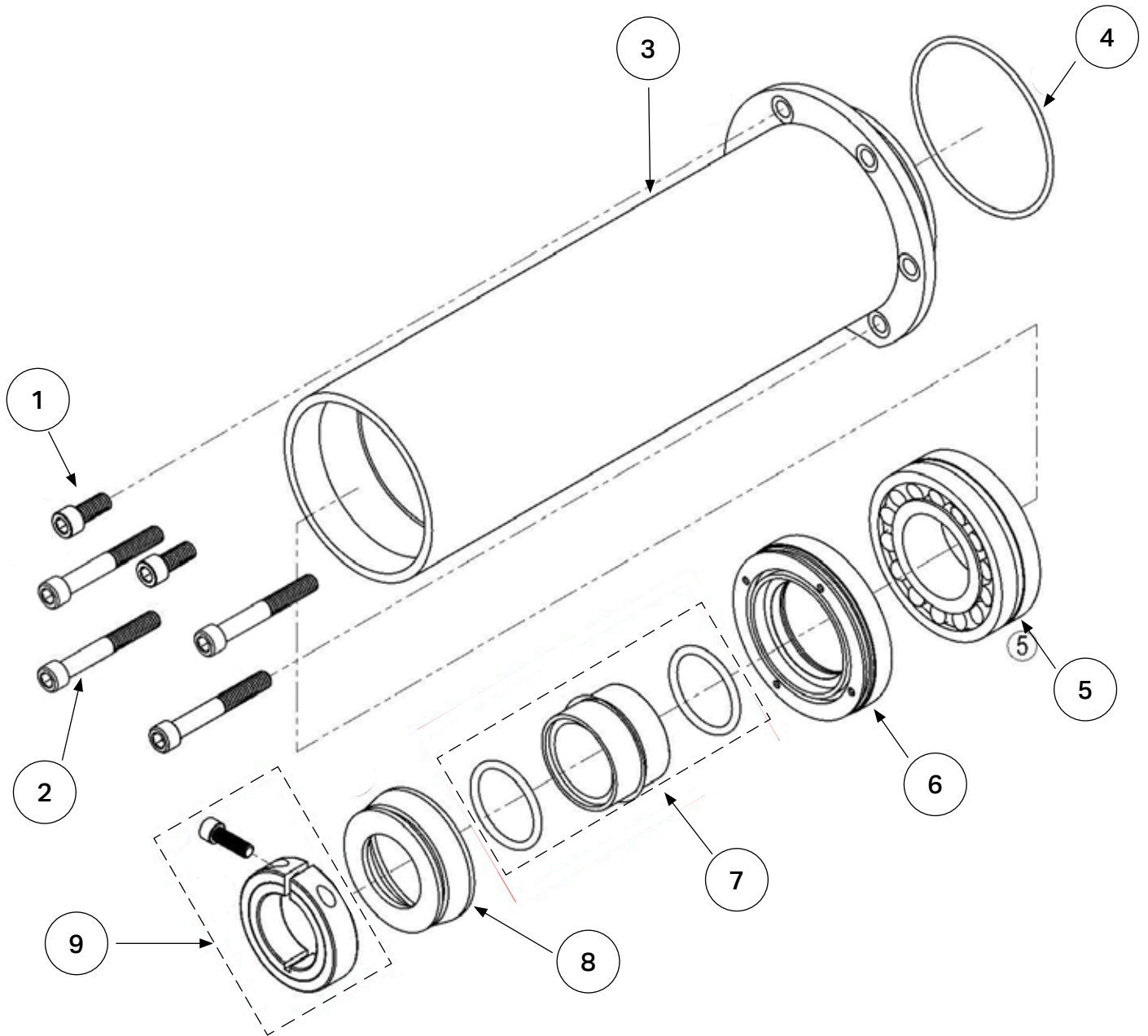
CENTER HOUSING, SHAFT & GEARS



Item	Part Number	Qty per pack	Description	Qty Needed for view above
19	14102	1	HOSE CLAMP, 7/16 to 25/32 SAE 6	2
20	14168	1	FITTING, 1/2" BARB X 3/8" MPT	2
21	490004	1	COOLER COVER CASTING	1
22	17209	1	INTERMEDIATE PLATE, FOR GB	1
23	12106	1	FITTING, 1/2" MPT MAGNETIC PLUG	1
24	17164	1	RUBBER END CAP	2
25	14163	1	FITTING, 1/2" BARB X 1/2" MPT 90 DEG ELBOW	2
26	14159	1	FITTING, 1/2" BARB X 1/4" MPT	2
27	12137	1	SEAL, 35 X 72 X 10MM INPUT	1
28	12112	1	INTERNAL SNAP RING, 2-3/4"	1
29	490008	1	"CENTER CASTING, MD GEARBOX (recommend ordering item 35 & 36) "	1
30	source locally	N/A	BUTTON HEAD SOCKET CAP, 10-24 X 1/2"	12
31	490210	1	COOLER PLATE	1
32	source locally	N/A	HEX HEAD CAP SCREW 1/4-20 X 1/2" GRADE 5 ZINC	4
33	source locally	N/A	SPLIT LOCK WASHER, 1/4" MEDIUM	4
34	490014	1	SKID PLATE, MD GEARBOX	1
35	12114	1	O-RING, NO. 012	3
36	10187	1	DRILL BUSHING, 7/16" X 1/2" X 0.251"	2
37	16118	1	DOWEL PIN, 1/4" X 5/8 "	2

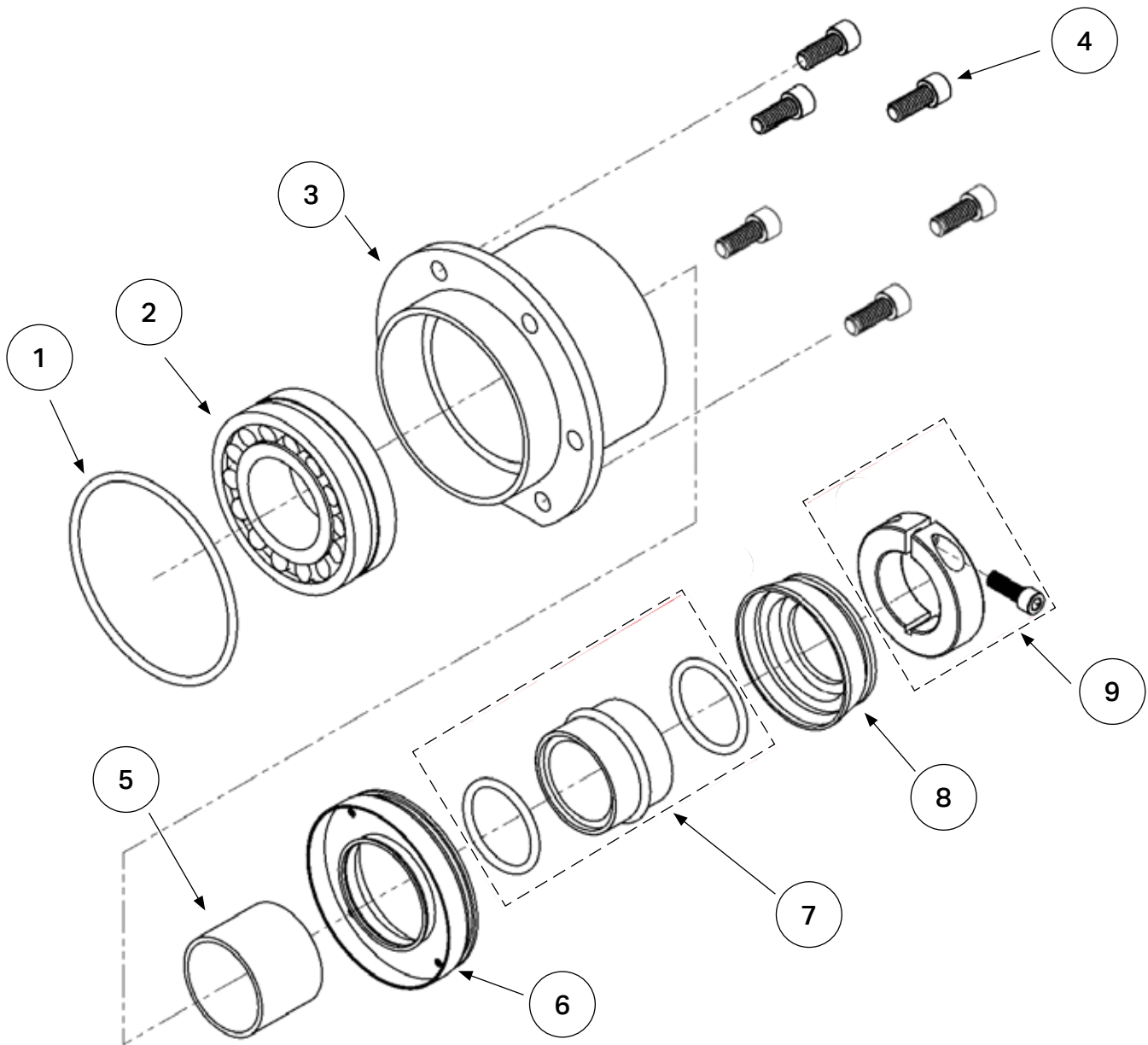
# LONG HOUSING

M400SS-50G-R4-1110 FLAT SAW

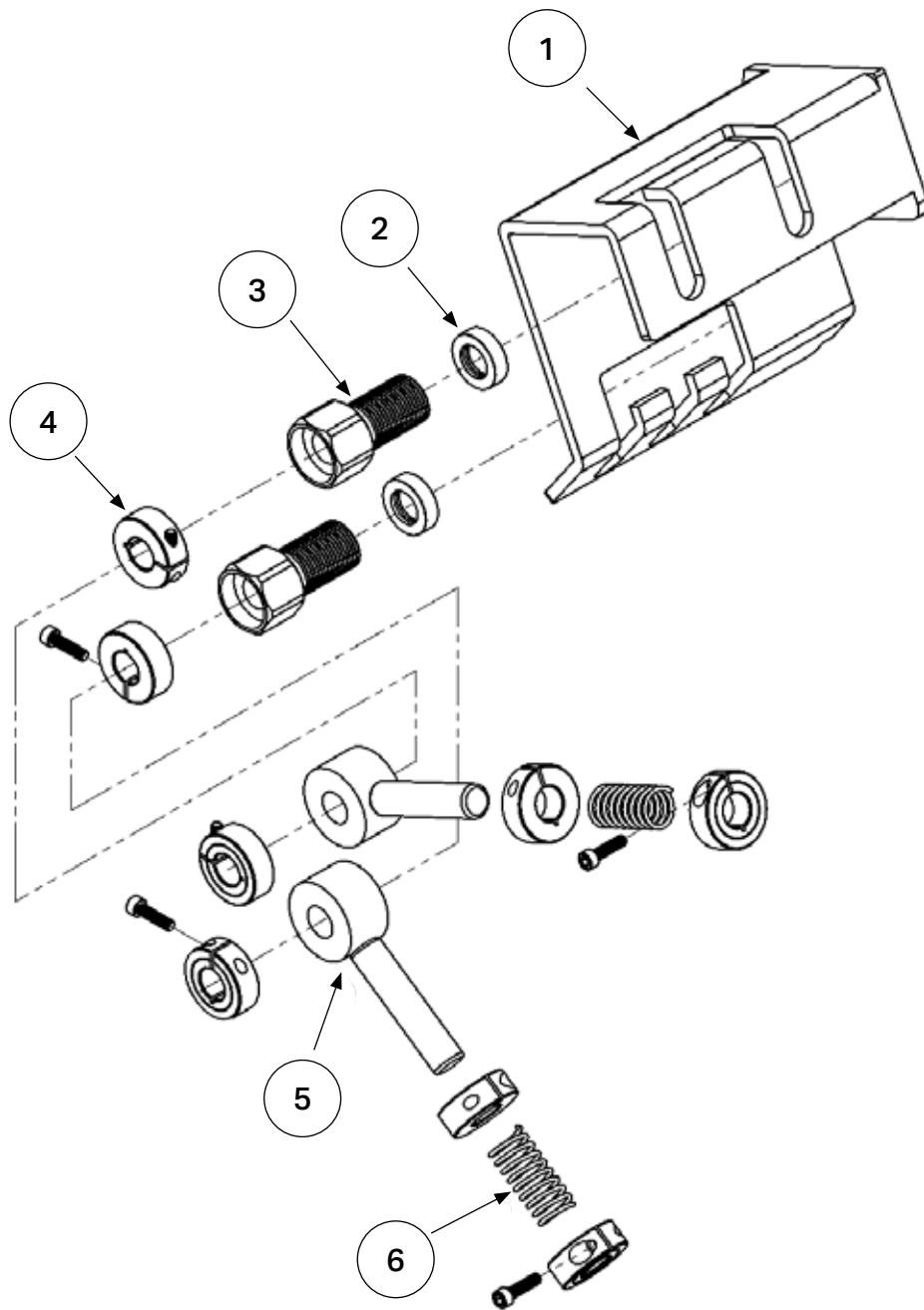


Item	Part Number	Qty per pack	Description	Qty Needed for view above
1	source locally	N/A	SOCKET HEAD CAP SCREW, 5/16-18" X 3/4"	2
2	source locally	N/A	SOCKET HEAD CAP SCREW, 5/16-18" X 2-1/4"	4
3	11120	1	LONG HOUSING, SS GEARBOX	1
4	12118	1	O-RING, NO. 151	1
5	10139	1	BEARING, 22208	1
6	12140	1	SEAL PACKAGE, MD GEARBOX	1
7	12141	1	SEAL SLEEVE PACKAGE, MD GEARBOX	1
8	17165	1	SLURRY CUP, MD GEARBOX	1
9	15153	1	SHAFT COLLAR, 1-3/8 "	1

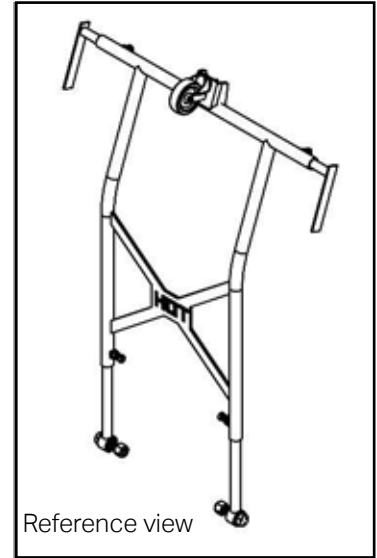
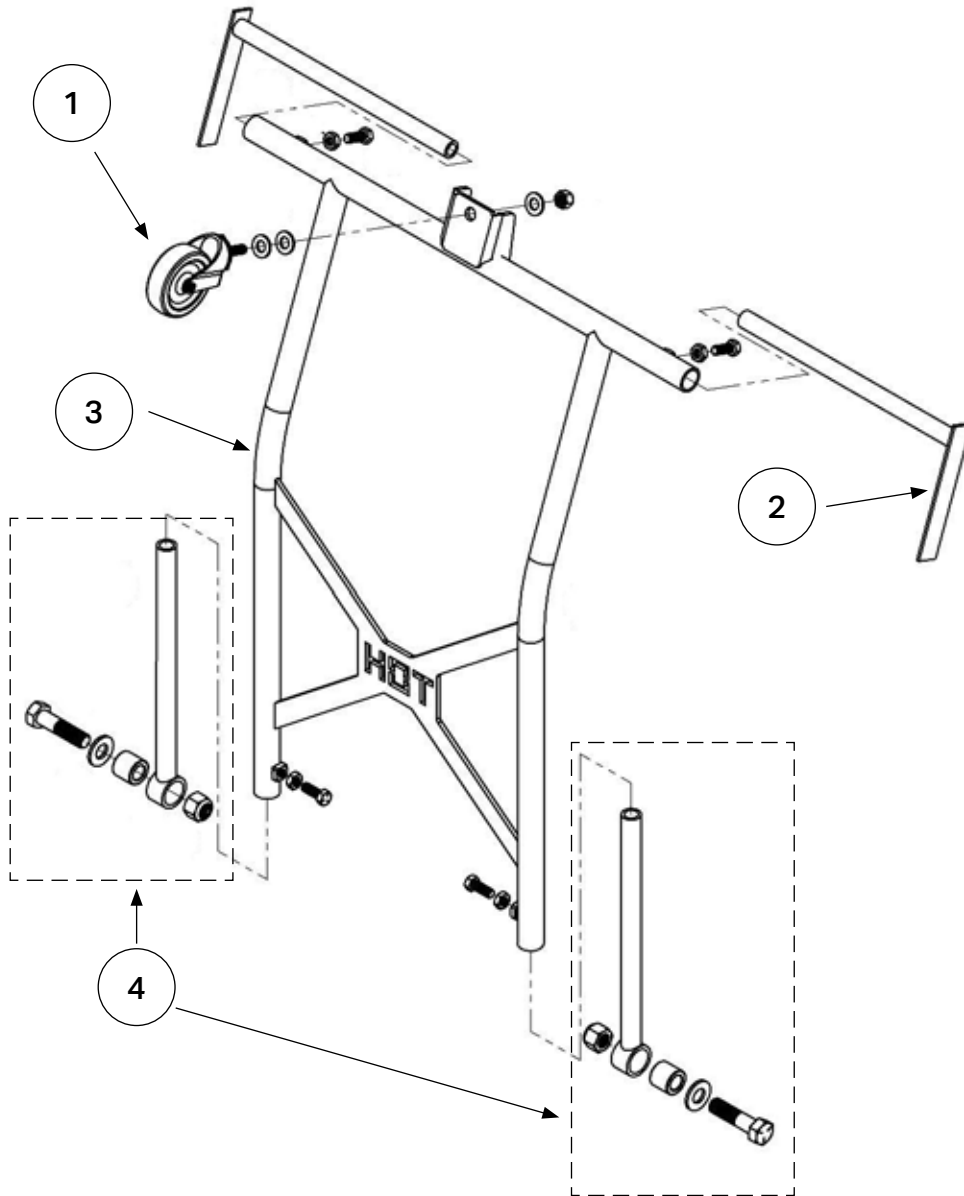




Item	Part Number	Qty per pack	Description	Qty Needed for view above
1	12121	1	O-RING, NO. 237	1
2	10139	1	BEARING, 22208	1
3	490017	1	SHORT HOUSING, MD GEARBOX	1
4	source locally	N/A	SOCKET HEAD CAP SCREW, 5/16-18" X 3/4"	6
5	10347	1	SPACER, MD GEARBOX	1
6	12140	1	SEAL PACKAGE	1
7	12141	1	SEAL SLEEVE PACKAGE	1
8	17165	1	SLURRY CAP	1
9	15153	1	1-3/8" SHAFT COLLAR	1



Item	Part Number	Qty per pack	Description	Qty Needed for view above
1	18118RP	1	SHIFT GATE, MD GEARBOX	1
2	12139	1	OIL SEAL, SHIFTER	2
3	11113	1	SHIFTER HOUSING	2
4	490044	1	SPLIT SHAFT COLLAR, 1/2" ALUMINUM	8
5	16110	1	SHIFT LEVER, GEARBOX	2
6	490091	1	SHIFTER SPRING, 1/2" X 1"	2



Item	Part Number	Qty per pack	Description	Qty Needed for view above
1	45132	1	3" CASTER WHEEL, FOR POINTER	1
2	19138RP	1	BRACKET, POINTER GUIDE	2
3	18205RP	1	POINTER FRAME (does not incl castor wheel, item #1)	1
4	46123RP	2	POINTER TUBE, LOWER	1

**Merit, An Oregon Brand**  
**4909 SE International Way**  
**Portland, OR 97222**  
**800.321.1240**  
**oregonconstruction.com**