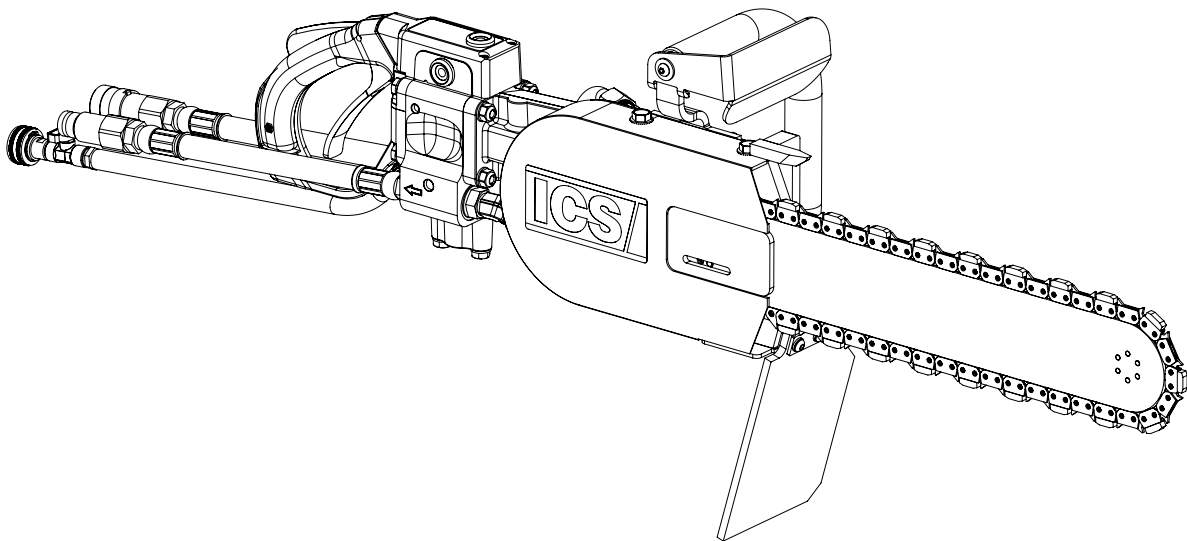




Replacement Parts & Accessories



880/890 FLUSH Series Hydraulic Concrete Saw

TABLE OF CONTENTS

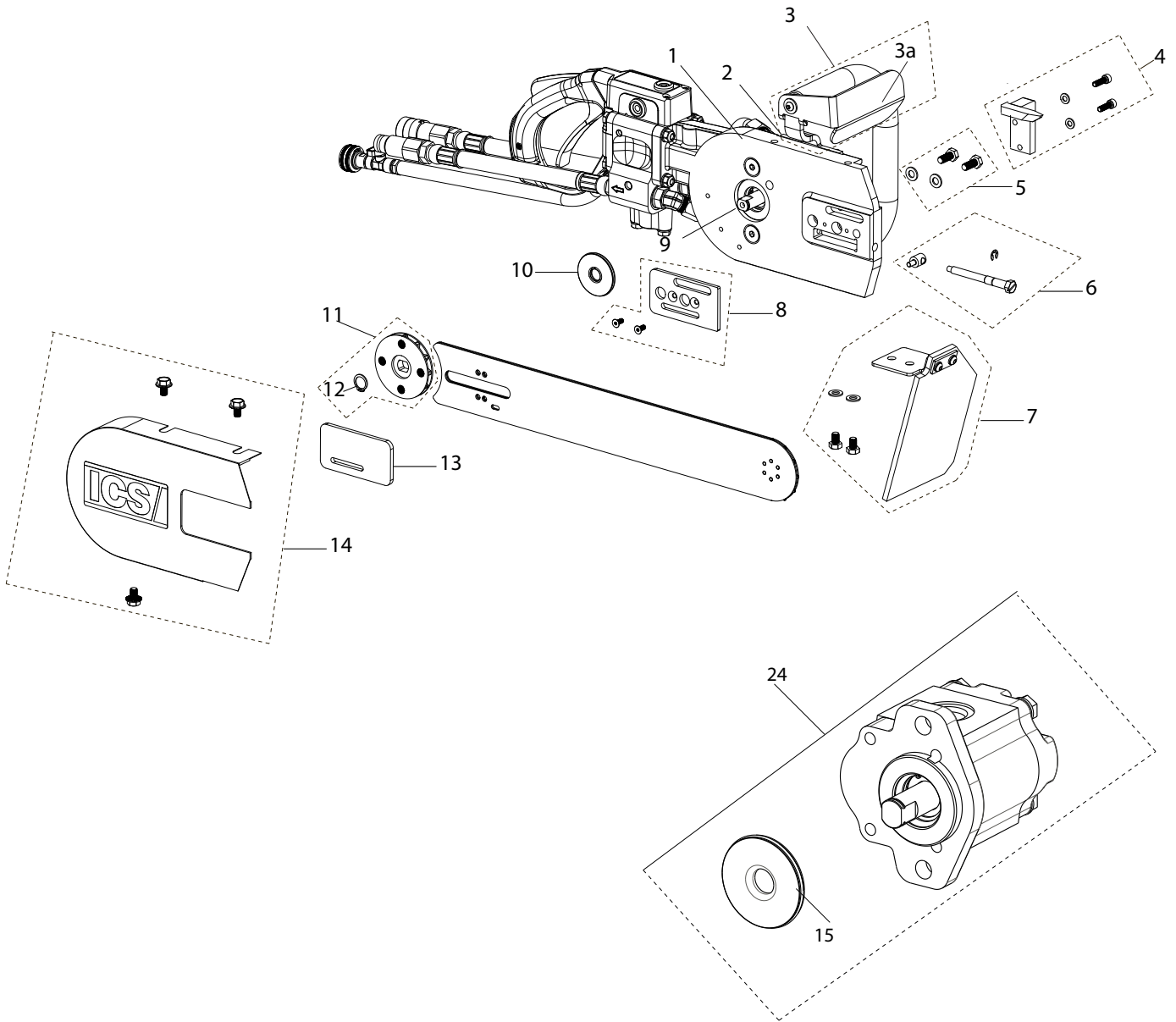
880/890 FLUSH Series Hydraulic Concrete Saw

ITEM DESCRIPTION	KEY	PAGE
880/890 FLUSH Series Hydraulic Saw Service Parts & Kits	n/a	2
880/890 FLUSH Series Hydraulic Saw Assembly	B	3-4

SERVICE PARTS & KITS

880/890 FLUSH Series Hydraulic Concrete Saw

Part No.	Description
70619	880/890 Series Tensioning Screws, Hydraulic Saws
71526	880/890 Series Hydraulic Valve Spool Kit
72296	880/890 Series Hydraulic Valve Seal Kit
72347	880/890 Series Hydraulic Trigger Lock-Out Spring & Pin Kit
506026	880/890 Series Hydraulic Trigger & Lock-Out Kit
507407	880/890 Series Hydraulic Front Handle Fastener Kit
518869	880/890 Series Hydraulic Water Valve Kit, includes clip, plunger, spring, ball & water bridge spindle
528594	880/890 Series Motor Seal Kit
540291	880/890 Series Side Cover Gasket
72342	880/890 Series Hydraulic Motor Bolt Kit
72344	880/890 Series Valve Bolt Kit
566059	880/890 Series Water Shut-off Valve Kit



Key #	Part No.	Description
1	532512	880/890 FLUSH Series Mainframe Replacement Kit
2	564962	880/890 FLUSH Series Replacement Motor Kit 8gpm/30 lpm
2	564983	880/890 FLUSH Series Replacement Motor Kit 12 gpm/45 lpm
3	523947	880/890 FLUSH Series Front Handle Kit (includes 3a) 8gpm/30 lpm
3a	74586	880/890 FLUSH Series Front Handguard Kit 8gpm/30 lpm
3	567102	880/890 FLUSH Series Front Handle Kit (includes 3a) 12gpm/45 lpm
3a	517874	880/890 FLUSH Series Front Handguard Kit 12 gpm/45 lpm
4	524673	880/890 FLUSH Series WallWalker Spike Kit
5	524658	880/890 FLUSH Series Bar Clamp Bolt Kit
6	523946	880/890 FLUSH Series Tensioner Kit
7	576682	880/890 FLUSH Series Guard Flap Assembly Kit
8	523945	880/890 FLUSH Series Spacer Plate Kit
10	528563	880/890 FLUSH External Shaft Seal
11	565066	890 FLUSH Series Drive Sprocket Kit (includes Snap ring) 8gpm/12gpm(30 lpm/45 lpm) 890 ONLY
11	549761	880 FLUSH Series Drive Sprocket Kit (includes Snap ring) 8gpm/12gpm(30 lpm/45 lpm)
12	549796	880/890 FLUSH Series Snap ring Kit
13	524657	880/890 FLUSH Series Bar Clamp Plate Kit
14	532515	880/890 FLUSH Series Side Cover Kit
*All other replacement parts are the same as 880/890 Series		
**Replacement parts for Trigger are listed on page 2		

880/890 FLUSH Replacement Parts & Accessories Price List

**ICS Diamond Tools and Equipment, Oregon Tool
4909 SE International Way
Portland, OR 97222**

**P: 800.321.1240
E: icsdiamondtools.com**