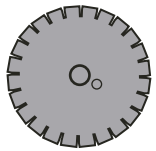


# MERIT

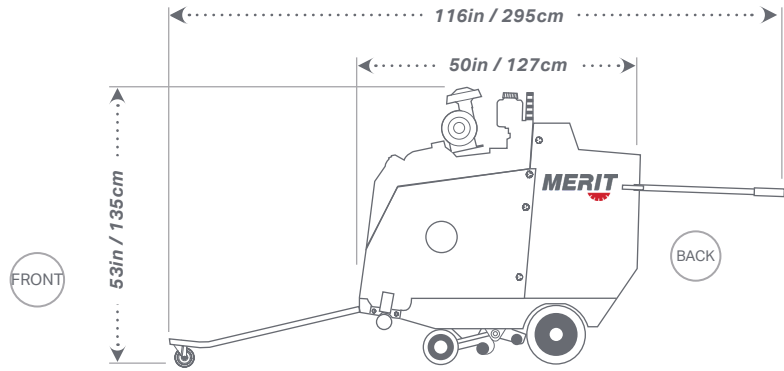
AN ICS BRAND

## M600SS-61G - GAS POWER

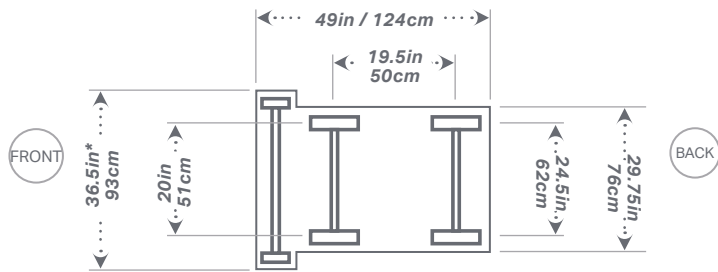


**14in - 42in**  
**35cm - 107cm**

**18.5in/47cm Max Cut**



LEFT SIDE VIEW



BOTTOM VIEW

\*35.875in / 91cm Standard  
34.625in / 88cm QD w/components  
32.375in / 82.25cm QD (Flush) w/components



SPECIFICATIONS	<b>Raise &amp; Lower Control</b>	Button or standard
	<b>Air Filter</b>	2 stage
	<b>Blade Mounting</b>	Left and right
	<b>Blade Shaft Drive</b>	1in / 2.5cm or with 5in/ 13cm arbors
	<b>Approx. Weight</b>	1500 lbs. / 680kg.
	<b>Drive Speed</b>	0-240 FPM
	<b>Depth Control</b>	Mechanical
	<b>Arbor Size</b>	1in / 2.5cm
	<b>Engine Manufacturer</b>	Kubota
	<b>Fuel Capacity</b>	6.5 gallons / 24.5L

BLADE GUARD IN	BLADE GUARD CM
14 x 2	35.5 x 5
18 x 2	46 x 5
20 x 2	50 x 5
24 x 2	61 x 5
26 x 2	66 x 5
30 x 3	76 x 7
32 x 3	81 x 7
36 x 3	91 x 7
42 x 3	107 x 7

### 600SS SERIES - 61HP - GAS - FRONT PIVOT - 4 SPEED

M600SS-61G-F4-1110	M600SS, 61HP, GAS, FRONT PIVOT, 4 SPEED, STANDARD CONTROL, STANDARD BLADE MOUNT, LIGHT KIT
M600SS-61G-F4-1210	M600SS, 61HP, GAS, FRONT PIVOT, 4 SPEED, BUTTON CONTROL, STANDARD BLADE MOUNT, LIGHT KIT
M600SS-61G-F4-2110	M600SS, 61HP, GAS, FRONT PIVOT, 4 SPEED, STANDARD CONTROL, QUICK DISCONNECT BLADE MOUNT, LIGHT KIT
M600SS-61G-F4-2210	M600SS, 61HP, GAS, FRONT PIVOT, 4 SPEED, BUTTON CONTROL, QUICK DISCONNECT BLADE MOUNT, LIGHT KIT

### 600SS SERIES - 61HP - GAS - REAR PIVOT - 4 SPEED

M600SS-61G-R4-1110	M600SS, 61HP, GAS, REAR PIVOT, 4 SPEED, STANDARD CONTROL, STANDARD BLADE MOUNT, LIGHT KIT
M600SS-61G-R4-1210	M600SS, 61HP, GAS, REAR PIVOT, 4 SPEED, BUTTON CONTROL, STANDARD BLADE MOUNT, LIGHT KIT
M600SS-61G-R4-2110	M600SS, 61HP, GAS, REAR PIVOT, 4 SPEED, STANDARD CONTROL, QUICK DISCONNECT BLADE MOUNT, LIGHT KIT
M600SS-61G-R4-2210	M600SS, 61HP, GAS, REAR PIVOT, 4 SPEED, BUTTON CONTROL, QUICK DISCONNECT BLADE MOUNT, LIGHT KIT

**ICSDIAMONDTOOLS.COM | 800.321.1240**