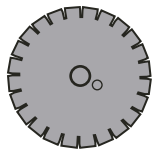
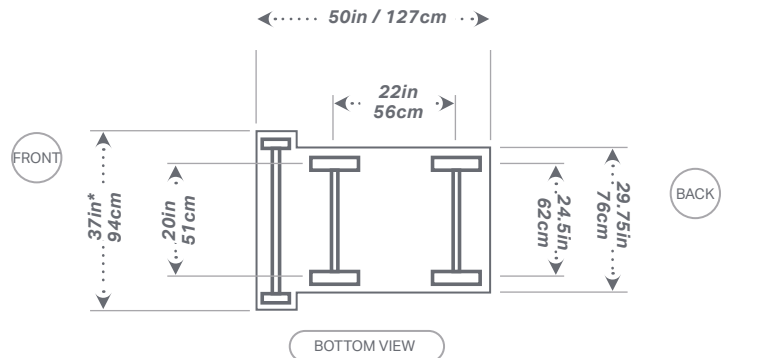
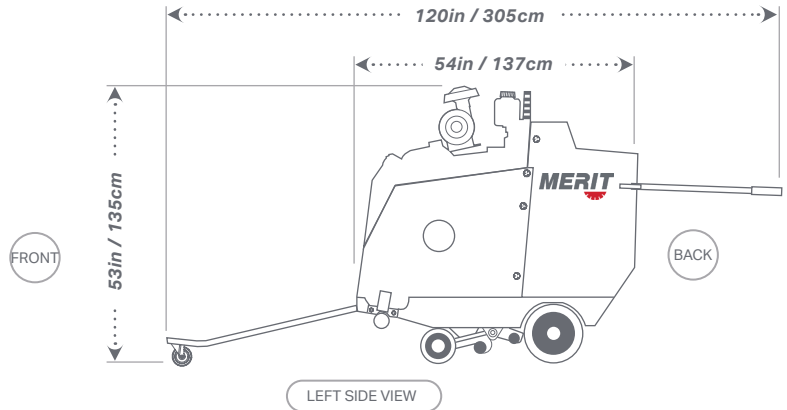


MERIT

AN ICS BRAND



M600EX-61G - GAS POWER



14in - 48in
35cm - 122cm

21.5in/55cm Max Cut



*36.625in / 93cm Standard
35.425in / 90cm QD w/components
33.125in / 84cm QD (Flush) w/components

SPECIFICATIONS	Raise & Lower Control	Button or standard
	Air Filter	N/A
	Blade Mounting	Left and right
	Blade Shaft Drive	1in / 2.5cm or with 5in/ 13cm arbors
	Approx. Weight	1750lbs. / 794kg.
	Drive Speed	0-240 FPM
	Depth Control	Mechanical
	Arbor Size	1in / 2.5cm
Engine Manufacturer	Kubota	
Fuel Capacity	6.5 gallons / 25L	

BLADE GUARD IN	BLADE GUARD CM
14 x 2	35.5 x 5
18 x 2	46 x 5
20 x 2	50 x 5
24 x 2	61 x 5
26 x 2	66 x 5
30 x 3	76 x 7
36 x 3	91 x 7
42 x 3	107 x 7
48 x 3	122 x 7

600EX SERIES - 61HP - GAS - FRONT PIVOT - 4 SPEED	
M600EX-61G-F4-2210	M600EX, 61HP, GAS, FRONT PIVOT, 4 SPEED, BUTTON CONTROL, QUICK DISCONNECT BLADE MOUNT, LIGHT KIT
600EX SERIES - 61HP - GAS - REAR PIVOT - 4 SPEED	
M600EX-61G-R4-1110	M600EX, 61HP, GAS, REAR PIVOT, 4 SPEED, STANDARD CONTROL, STANDARD BLADE MOUNT, LIGHT KIT

ICSDIAMONDTOOLS.COM | 800.321.1240

Effective January 1, 2024 | Copyright 2024 ICS, Oregon Tool Inc. Pricing, product offerings and specifications are subject to change without notice. All rights reserved. WallWalker, SpeedHook, SealPRO, FORCE4, FORCE3 and PowerGrit are registered trademarks of ICS. The best way to cut concrete, DCT, TSS, and ProFORCE are trademarks of ICS. Rev: 010124