

MERIT

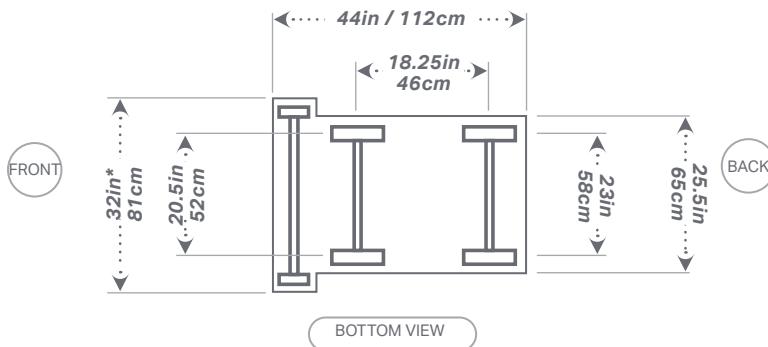
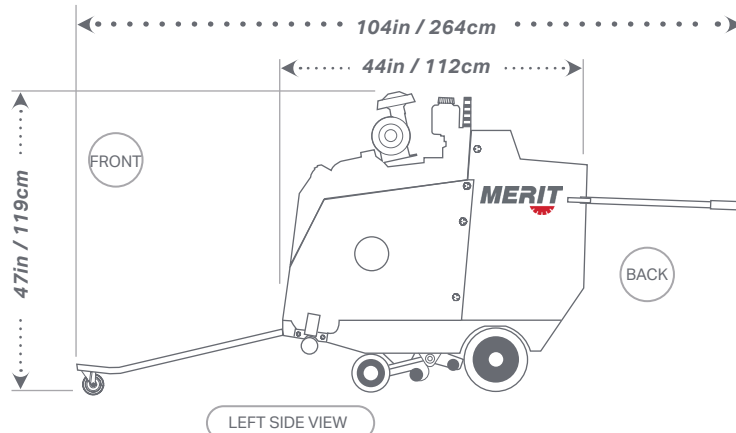
AN **ICS** BRAND



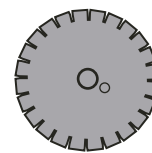
PRODUCT DATASHEET

MERIT

M500SS-57G - GAS POWER



*32in / 82cm Standard



14in - 30in
35cm - 76cm

13in/33cm Max Cut



SPECIFICATIONS

Raise & Lower Control	Standard
Air Filter	Single stage
Blade Mounting	Left and right
Blade Shaft Drive	1in / 2.5cm with 4in / 10cm arbors
Approx. Weight	1150lbs. / 522kg.
Drive Speed	0-240 FPM
Depth Control	Electronic
Arbor Size	1in / 2.5cm
Engine Manufacturer	Kubota
Fuel Capacity	5.5 gallons / 20.8L

BLADE GUARD IN	BLADE GUARD CM
14 x 2	35.5 x 5
18 x 2	46 x 5
20 x 2	50 x 5
24 x 2	61 x 5
26 x 2	66 x 5
30 x 3	76 x 7

500 SERIES - 57HP - GAS - REAR PIVOT - 4 SPEED

M500SS-57G-R4

M500SS, 57HP, GAS, REAR PIVOT, 4 SPEED, STANDARD CONTROL, STANDARD BLADE MOUNT



Diamond Tools and Equipment

ICSDIAMONDTOOLS.COM | 800.321.1240

Effective January 1, 2024 | Copyright 2024 ICS, Oregon Tool Inc. Pricing, product offerings and specifications are subject to change without notice. All rights reserved. WallWalker, SpeedHook, SealPRO, FORCE4, FORCE3 and PowerGrit are registered trademarks of ICS. The best way to cut concrete, DCT, TSS, and ProFORCE are trademarks of ICS. Rev: 042424