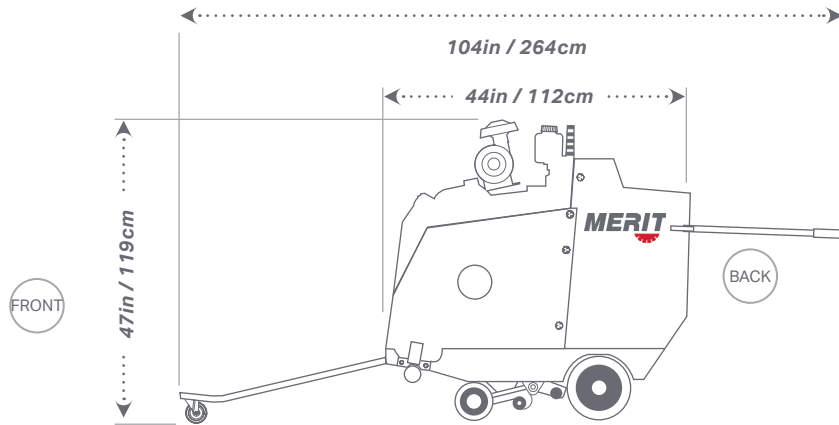
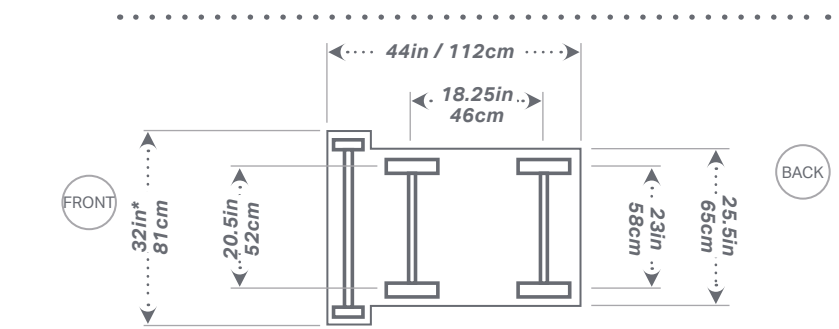


M400SS-30E - ELECTRIC POWER

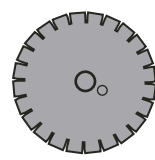


LEFT SIDE VIEW



BOTTOM VIEW

*32in / 82cm Standard
 30.5in / 77.5cm QD w/components
 28.375in / 72cm QD (Flush) w/components



14in - 30in
 35cm - 76cm

13in/33cm Max Cut



SPECIFICATIONS	Raise & Lower Control	Button or standard
	Air Filter	N/A
	Blade Mounting	Left and right
	Blade Shaft Drive	1in / 2.5cm with 4in / 10cm arbors
	Approx. Weight	1100lbs. / 499kg.
	Drive Speed	0-240 FPM
	Depth Control	Mechanical
	Arbor Size	1in / 2.5cm
	Engine Manufacturer	Baldor
	Voltage	480V 3-phase

BLADE GUARD IN	BLADE GUARD CM
14 x 2	35.5 x 5
18 x 2	46 x 5
20 x 2	50 x 5
24 x 2	61 x 5
26 x 2	66 x 5
30 x 3	76 x 7

400SS SERIES - 30HP - ELECTRIC - REAR PIVOT - 4 SPEED

M400SS-30E-R4-1110	M400SS, 30HP, ELECTRIC, REAR PIVOT, 4 SPEED, STANDARD CONTROL, STANDARD BLADE MOUNT, LIGHT KIT
M400SS-30E-R4-1210	M400SS, 30HP, ELECTRIC, REAR PIVOT, 4 SPEED, STANDARD CONTROL, QUICK DISCONNECT BLADE MOUNT, LIGHT KIT



Diamond Tools and Equipment

ICSDIAMONDTOOLS.COM | 800.321.1240